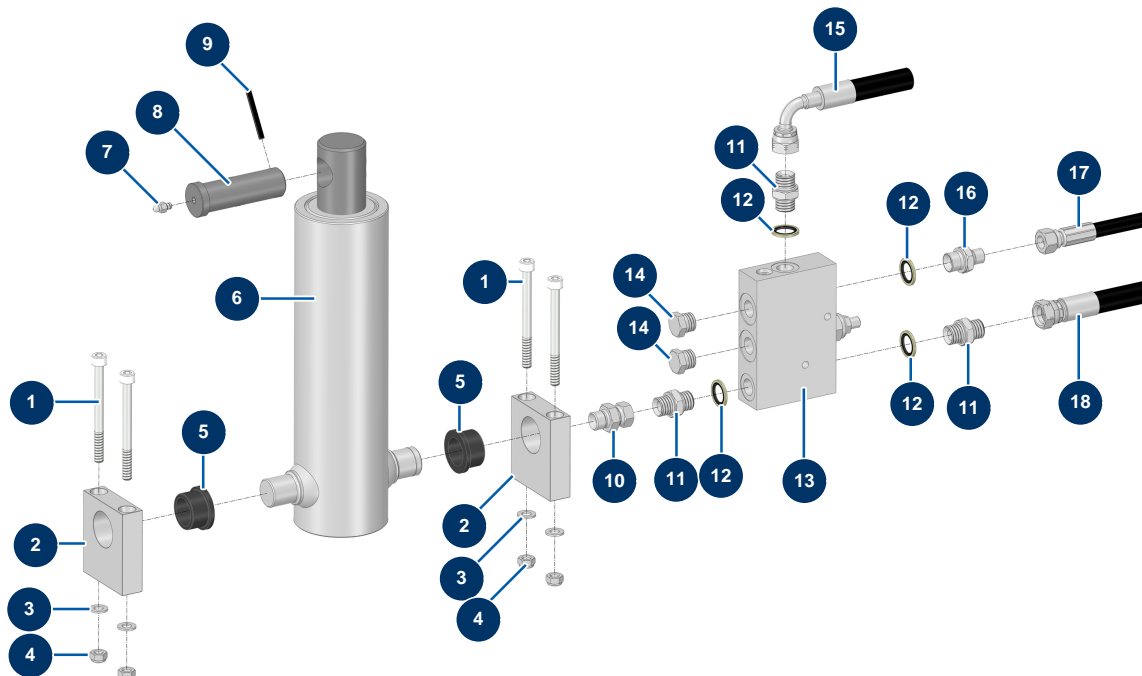


X-PRO D80 V2 spraying machine - Mixer cylinder



Détails des pièces

| Pos. | Référence | Désignation |
|------|-----------|--|
| 1 | 14152 | 8 x 90 cylindrical head screw |
| 2 | M20015 | Hopper cylinder support CP 60 & 80 |
| 3 | 30256 | ø 8 inox narrow washer |
| 4 | 13980 | M 8 nylstop inox nut |
| 5 | 14129 | Bearing with flange 25/32 x 20 - CP 60 & 80 |
| 6 | 12307 | Mixer telescopic cylinder - C.P 60 |
| 7 | 60012 | M6 straight lubricator |
| 8 | M10251 | Cylinder axle - CP 60 |
| 9 | 12474 | Cylinder axis elastic pin - CP 60 |
| 10 | 14287 | 16/150 MaleD x 3/8" FemaleC - CP 60 high-pressure nipple |
| 11 | 90698 | 3/8" MaleD x 3/8" MaleD high-pressure nipple |
| 12 | 91031 | Steel gasket for hollow screw with 3/8 lip |
| 13 | 15028 | |

| Pos. | Référence | Désignation |
|------|-----------|--|
| 14 | 90238 | 3/8" low-pressure male plug |
| 15 | 15390 | |
| 16 | 90704 | 1/4" MaleD x 3/8" MaleD high-pressure nipple |
| 17 | 15386 | |
| 18 | 15392 | |