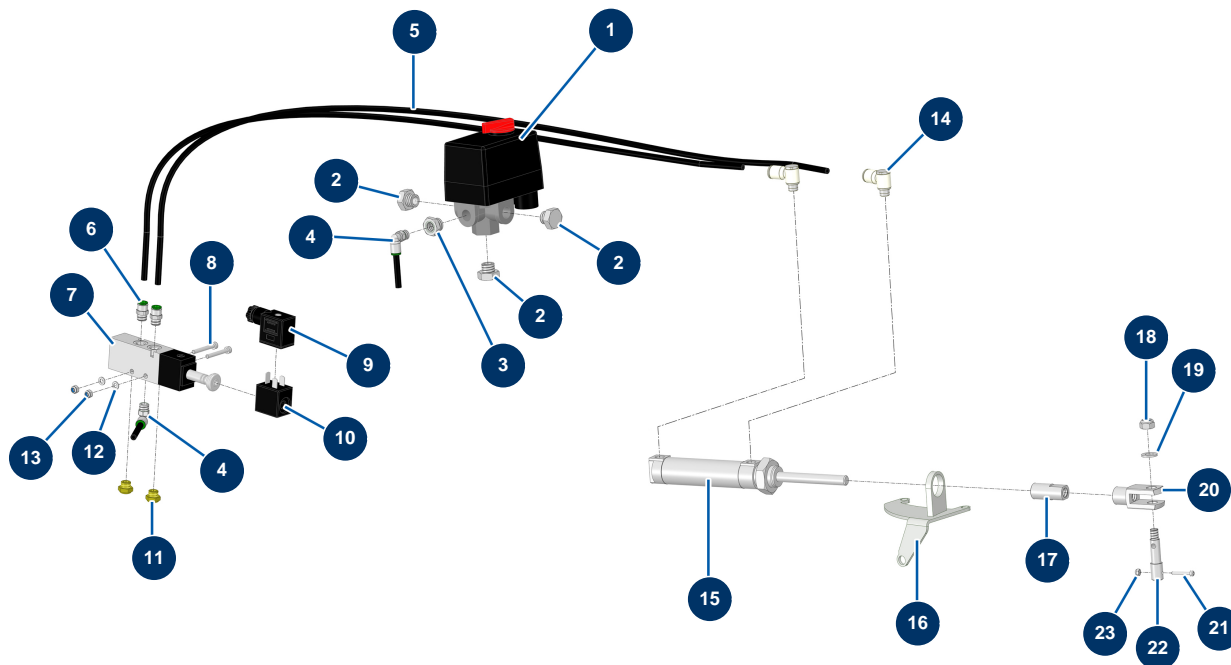


X-PRO D80 V2 spraying machine - Automatic accelerator



Détails des pièces

Pos.	Référence	Désignation
1	30006	Single phase compressor pressure switch
2	30118	1/4" low-pressure male plug
3	90240	1/4" MaleC x 1/8" FemaleD low-pressure reduction
4	30124	Corrugated Legris coupling M1/8" Ø 6
5	30403	Calibrated polyurethane tube ø 4 x 6 black by the metre
6	91038	Legris straight coupling M1/8 Ø 6
7	13525	5/2 electro-pneumatic distributor - CP 60
8	11882	4 x 30 cylindrical head screw
9	13528	12 VDC coil connector for electro-pneumatic distributor - CP 60
10	13527	12 VDC coil for electro-pneumatic distributor - CP 60
11	12818	Air silencer 1/8" M - CP 60
12	30267	ø 4 inox narrow washer
13	30266	M 4 nylstop nut

Pos.	Référence	Désignation
14	13529	Banjo flow limiter ø 6 with 1/8" adjustable screw - CP 60
15	12816	Automatic accelerator cylinder - CP 60
16	C22318	16
17	M10476	Automatic accelerator stop - CP 60
18	13980	M 8 nylstop inox nut
19	30256	ø 8 inox narrow washer
20	12817	Female clevis for automatic accelerator cylinder - CP 60
21	310012	3 x 20 cylindrical head screw
22	M10477	Automatic accelerator finger - CP 60
23	12737	M 3 nylstop nut