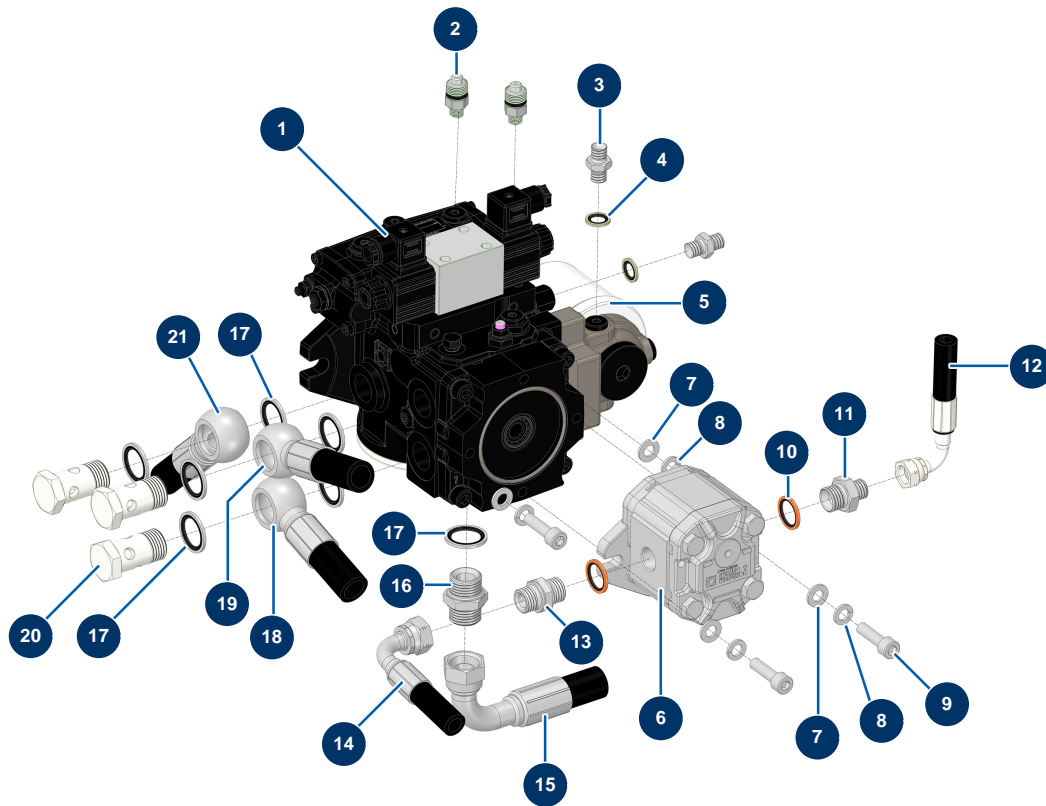


X-PRO D140 liquid screed machine - Hydraulic pump



Détails des pièces

Pos.	Référence	Désignation
1	20026	1
2	20123	
3	90703	1/4" MaleD x 1/4" MaleD high-pressure nipple
4	91016	Steel gasket for hollow screw with 1/4 lip
5	15054	
6	20027	
7	30280	ø 10 inox narrow washer
8	80270	Grower washer ø 10
9	12521	10 x 35 cylindrical head screw
10	91030	1/2 copper gasket for hollow screw
11	90872	1/2" MaleD x 3/8" MaleD high-pressure nipple
12	20184	
13	90627	1/2" MaleD x 1/2" MaleD high-pressure nipple

Pos.	Référence	Désignation
14	20183	
15	20521	
16	90774	3/4" MaleD x 3/4" MaleD high-pressure nipple
17	12573	Steel gasket for 3/4" hollow screw with lip
18	20195	
19	20194	
20	13307	3/4 HP drilled head screw
21	20192	