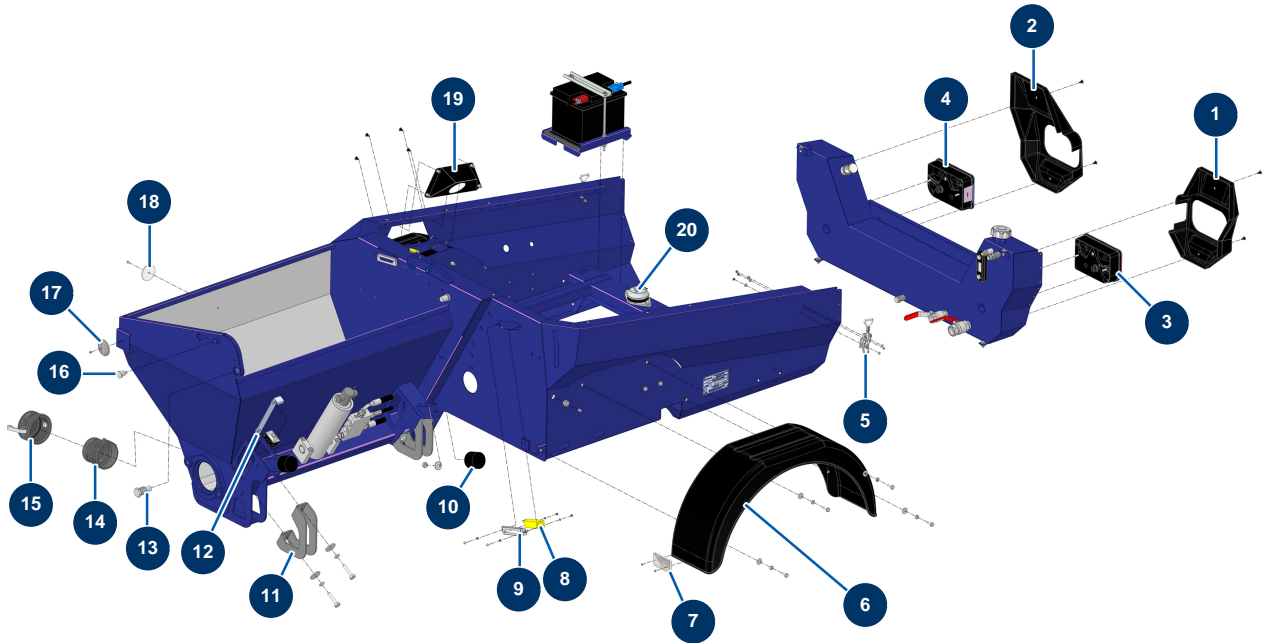


X-PRO D85 spraying machine - Chassis



Détails des pièces

Pos.	Référence	Désignation
1	20818	
2	20819	
3	12802	Complete left rear lights - C.P 60
4	12803	Complete right rear lights - C.P 60
5	15021	Adjustable toggle without hook
6	20212	X-PRO D200 & X-SCREED plastic mudguard
7	15260	Triangular red reflector
8	12120	Grid safety sensor for JETMIX, MIXPRO 14, 70 & 100
9	C23735C	
10	90765	Ø 60 x 45 M10 stop
11	C24139C	
12	C22109	Hopper mounting strip CP 60, 80 & 120
13	M20014	Mixer pivot finger - CP 60 & 80

Pos.	Référence	Désignation
14	13172	Polypro 3" threaded adapter - C.P 60
15	13171	Polypro 3" female cam plug - C.P 60
16	M10921	Anti-dust grid locking pin X-PRO D60/80
17	12362	Round & white reflector - C.P 60
18	12361	Round & orange reflector - C.P 60
19	C23221CST	
20	20786	Silentbloc for X-PRO D60, D140 motor plate