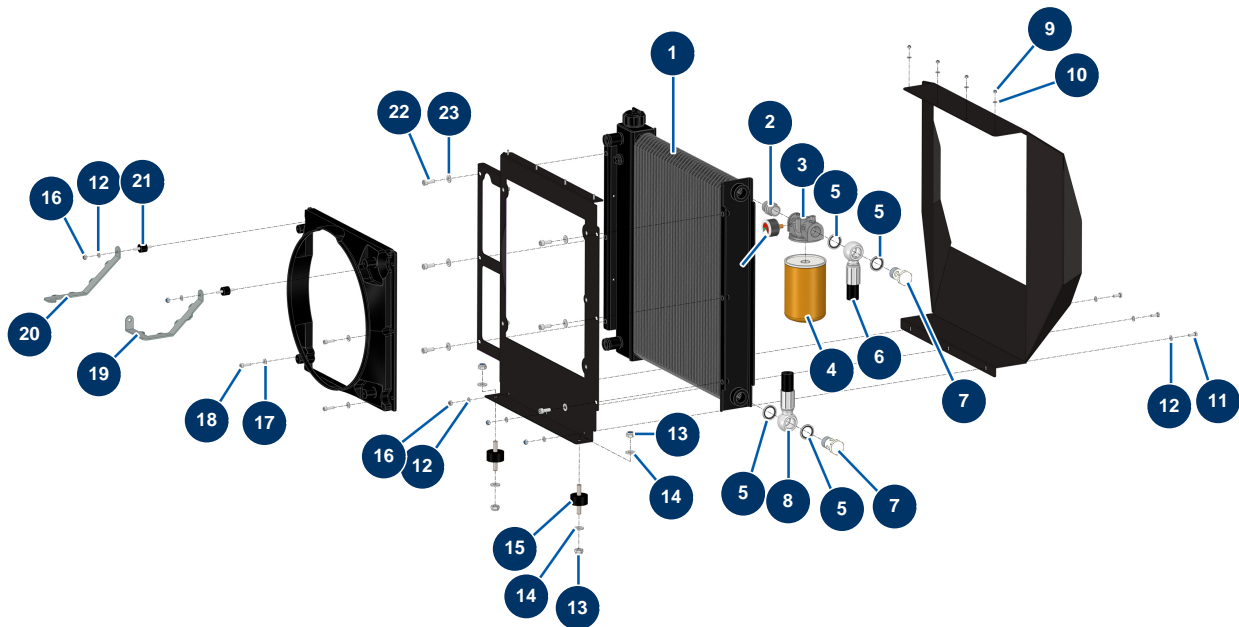


X-PRO D85 spraying machine - Radiator



Détails des pièces

| Pos. | Référence | Désignation |
|------|-----------|---|
| 1 | 14680 | Engine/Hydraulic oil cooler RL 2021 - CP 60 |
| 2 | 90234 | 3/4" MaleC x 3/4" MaleC low-pressure nipple |
| 3 | 15305 | |
| 4 | 15307 | |
| 5 | 12573 | Steel gasket for 3/4" hollow screw with lip |
| 6 | 15269 | |
| 7 | 14733 | 3/4 BP drilled head screw |
| 8 | 15264 | |
| 9 | 30266 | M 4 nylstop nut |
| 10 | 11736 | ø 4 inox medium washer |
| 11 | 12069 | THEF 6 x 16 screw |
| 12 | 70087 | ø 6 inox narrow washer |
| 13 | 60013 | M 10 nylstop nut |

| Pos. | Référence | Désignation |
|------|-----------|--|
| 14 | 80261 | ∅ 10 inox medium washer |
| 15 | 30150 | Silentbloc ∅ 40 x 20 M10 |
| 16 | 14217 | M 6 nylstop inox nut |
| 17 | 80259 | ∅ 6 medium washer |
| 18 | 90996 | 6 x 20 inox cylindrical head screw |
| 19 | C23057 | |
| 20 | C23059 | |
| 21 | 30147 | Silentbloc ∅ 20 x 15 M6 for Compact-pro 30 |
| 22 | 80470 | 8 x 20 cylindrical head screw |
| 23 | 80260 | ∅ 8 inox medium washer |