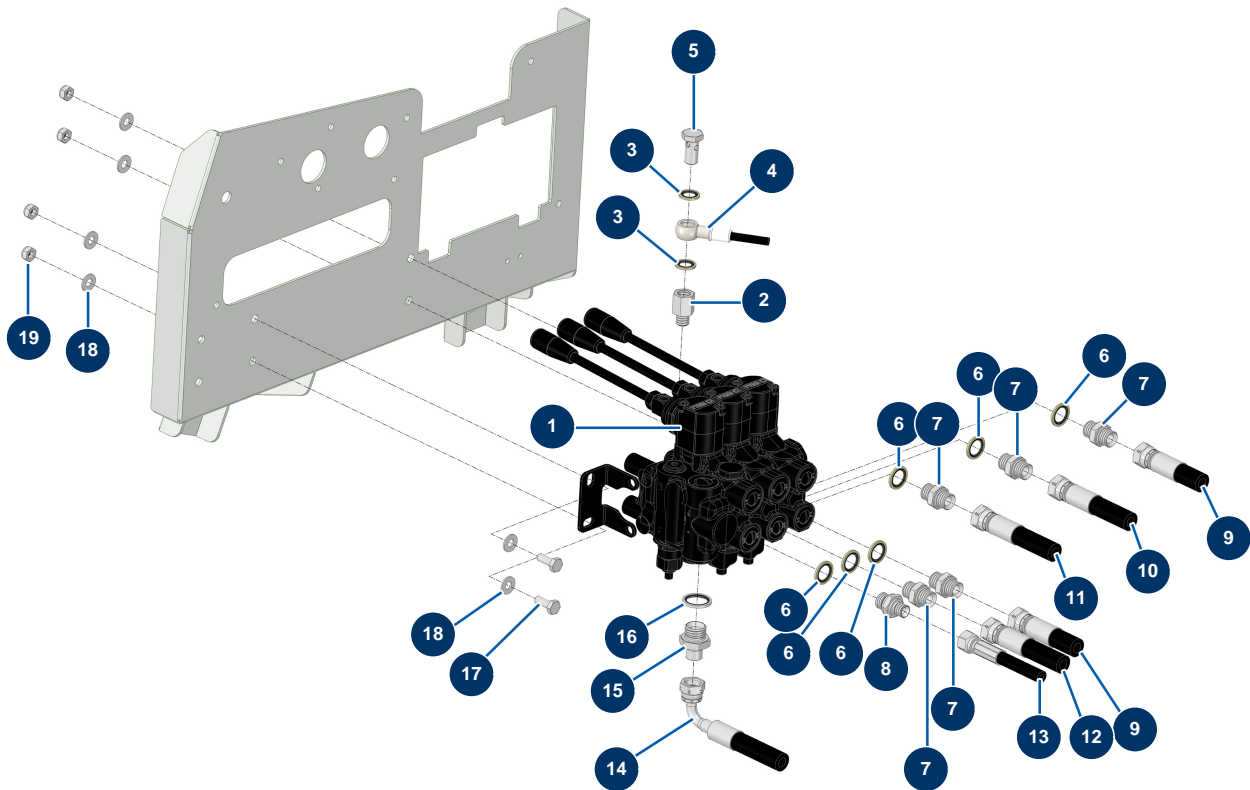


## X-PRO D85 spraying machine - Hydraulic control block support



### Détails des pièces

Pos.	Référence	Désignation
1		1
2	12667	1/4" MaleC x 1/4" FemaleD high-pressure nipple
3	91016	Steel gasket for hollow screw with 1/4 lip
4	13027	Manometer hose 400 mm 1/4"F (mano) x 1 banjo Ø 14 mm - C.P 60
5	90863	1/4 drilled head screw
6	91031	Steel gasket for hollow screw with 3/8 lip
7	90698	3/8" MaleD x 3/8" MaleD high-pressure nipple
8	90704	1/4" MaleD x 3/8" MaleD high-pressure nipple
9	15385	
10	15272	
11	15392	
12	15271	
13	15386	

Pos.	Référence	Désignation
14	15393	
15	80338	3/8" MaleC x 1/2" MaleD high-pressure nipple
16	91032	Steel gasket for hollow screw with 1/2" lip
17	30273	THEF 8 x 20 screw
18	80260	ø 8 inox medium washer
19	13980	M 8 nylstop inox nut