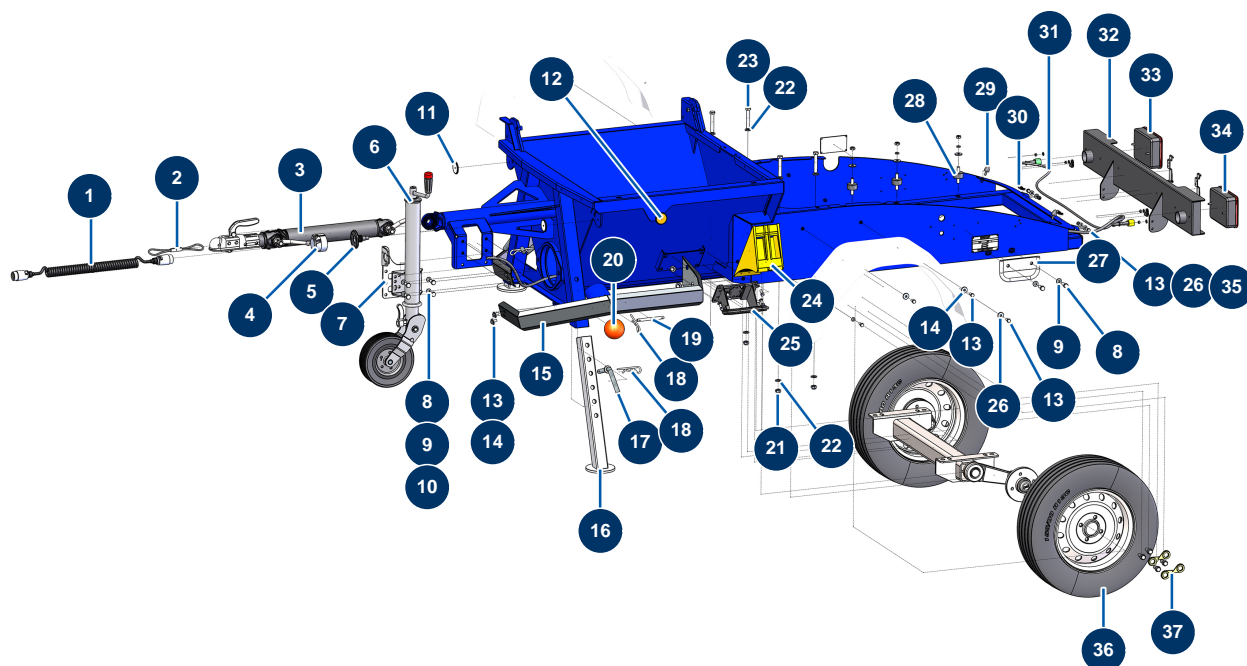


## X-PRO D140 liquid screed machine - Chassis



### Détails des pièces

Pos.	Référence	Désignation
1	13284	7-pin metal male sockets 2.5 m x 2 spiral extender - C.P 60
2	14326	Headstock safety cable AK160 ø 50 nut PA - CP 60
3	20209	Axle + complete drawbar X-PRO D140
4	13282	Lighting metal 7-pin female socket - C.P 60
5	13283	Lighting metal 7-pin female socket foam rubber gasket - C.P 60
6	20210	ø 60 automatic jokey wheel X-PRO D140
7	C23063	7
8	30258	THEF 10 x 30 screw
9	30280	ø 10 inox narrow washer
10	60013	M 10 nylstop nut
11	12362	Round & white reflector - C.P 60
12	12361	Round & orange reflector - C.P 60
13	30273	THEF 8 x 20 screw

Pos.	Référence	Désignation
14	30292	ø 8 inox large washer
15	C23024	15
16	C23023	16
17	20236	Support leg pin X-PRO D
18	20046	4 mm R pin
19	20060	
20	20048	Cleaning ball ø 100
21	10051	M 12 nylstop nut
22	30294	ø 12 inox large washer
23	12442	12 x 80 THPF screw
24	20213	X-PRO D140 yellow plastic wheel chock
25	20214	X-PRO black wheel chock holder
26	30256	ø 8 inox narrow washer
27	C20976	Chassis docking support CP 60 version 7.13
28	30150	Silentbloc ø 40 x 20 M10
29	14216	ø 20 x 24 M6 conical stop
30	20231	30
31	12801	Complete lighting wiring harness 3.5 m - C.P 60
32	C22019	CP60 2017 light plate chassis
33	12803	Complete right rear lights - C.P 60
34	12802	Complete left rear lights - C.P 60
35	13980	M 8 nylstop inox nut
36	20211	Complete wheel 155/80R13 PCD 98x4 X-PRO D140
37	14645	