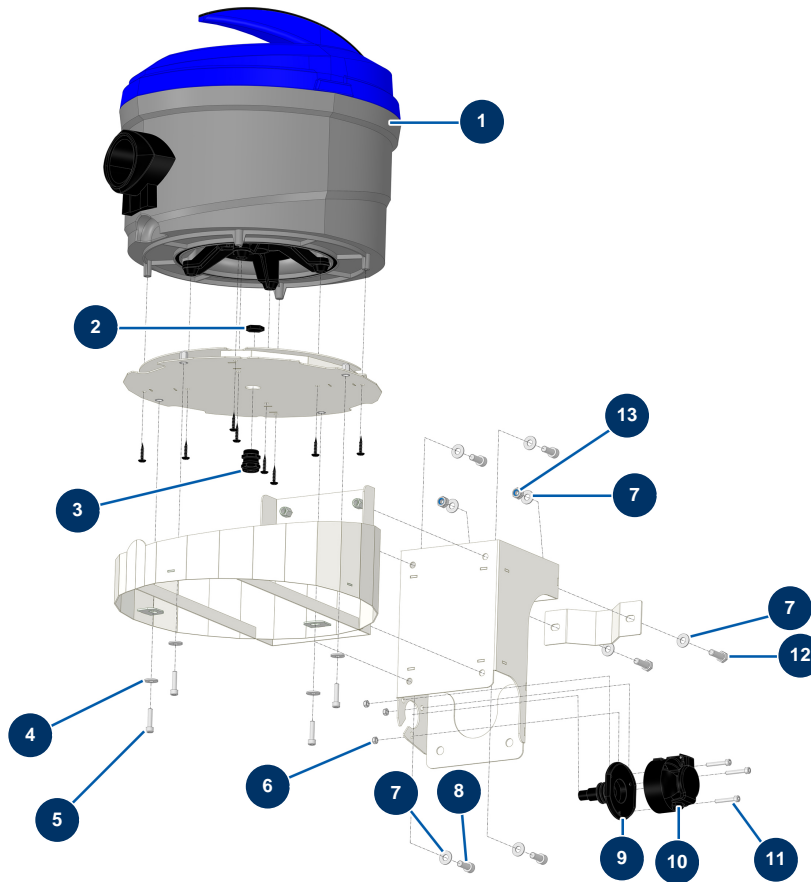


X-PRO D60 V2 spraying machine - Dust vacuum system - details (option)



Détails des pièces

Pos.	Référence	Désignation
1	15580	MIXPRO 100 Flow meter solenoid valve
2	11197	M 20 cable gland nut
3	80448	M 20 waterproof cable gland
4	30291	ø 6 large washer
5	80614	6 x 25 inox cylindrical head screw
6	11880	M 5 nylstop nut
7	80260	ø 8 inox medium washer
8	80470	8 x 20 cylindrical head screw
9	15591	Lighting metal 7-pin female socket - C.P 60
10	15509	
11	12245	5 x 30 cylindrical head screw
12	11544	THEF 8 x 25 screw
13	90127	M 8 nylstop nut