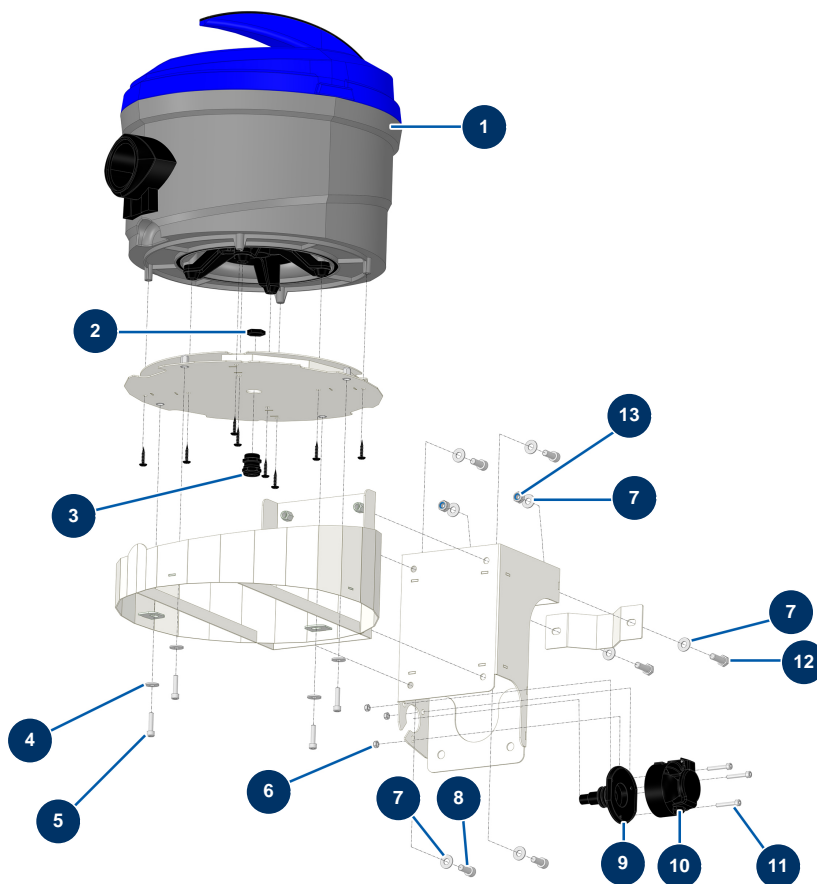


X-PRO D85 spraying machine - Dust vacuum system - details (option)



Détails des pièces

| Pos. | Référence | Désignation |
|------|-----------|---|
| 1 | 15580 | MIXPRO 100 Flow meter solenoid valve |
| 2 | 11197 | M 20 cable gland nut |
| 3 | 80448 | M 20 waterproof cable gland |
| 4 | 30291 | ø 6 large washer |
| 5 | 80614 | 6 x 25 inox cylindrical head screw |
| 6 | 11880 | M 5 nylstop nut |
| 7 | 80260 | ø 8 inox medium washer |
| 8 | 80470 | 8 x 20 cylindrical head screw |
| 9 | 15591 | Lighting metal 7-pin female socket - C.P 60 |
| 10 | 15509 | |
| 11 | 12245 | 5 x 30 cylindrical head screw |
| 12 | 11544 | THEF 8 x 25 screw |
| 13 | 90127 | M 8 nylstop nut |