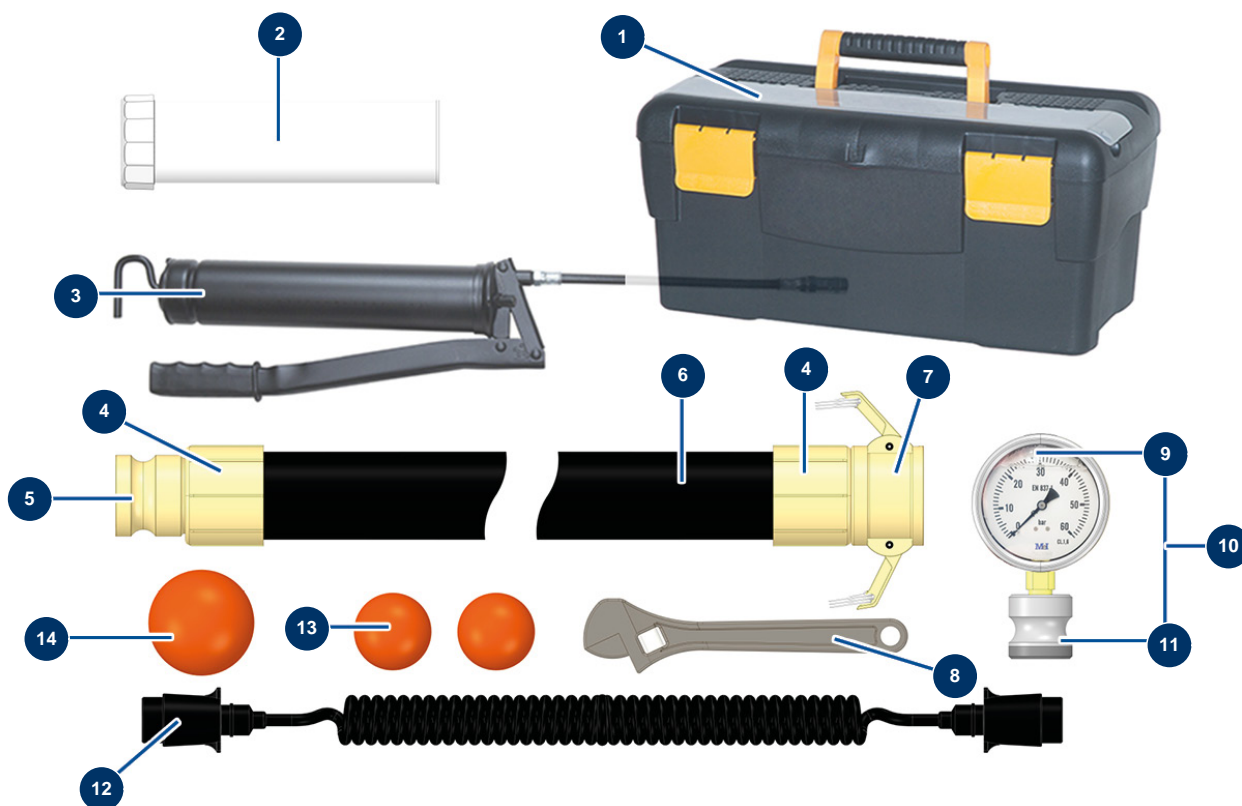


## X-PRO D140 V2 liquid screed machine - Accessories



### Détails des pièces

Pos.	Référence	Désignation
1	1032155	Empty carry case for TURBO T25
2	101021	Grease pump cartridge
3	12566	Manual grease pump
4	13465	4
5	13464	2" steel adapter, corrugated Ø50
6	13411	50 x 68 spraying hose by the metre
7	13643	Product hose JETPRO Ø 16 x 12 m F1" x F1/2"
8	11116	25 cm adjustable wrench
9	20154	Oil radial manometer 1/2" conical 100 mm - 0 to 60 bar
10	20173	
11	20062	X-PRO machine manometer adapter
12	13284	7-pin metal male sockets 2.5 m x 2 spiral extender - C.P 60
13	20049	Cleaning ball ø 60

<b>Pos.</b>	<b>Référence</b>	<b>Désignation</b>
14	20048	Cleaning ball ø 100