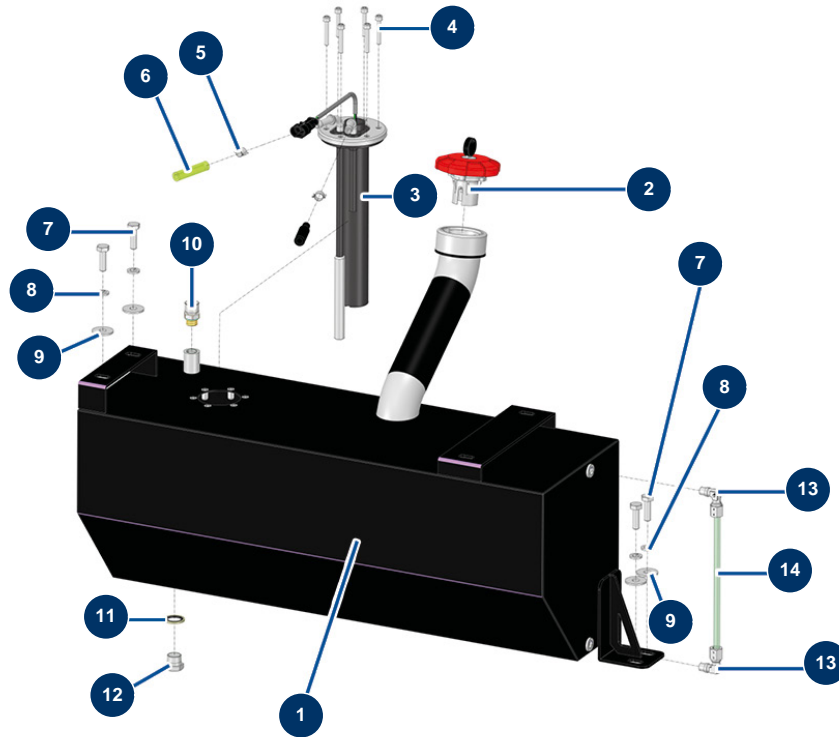


X-PRO D140 V2 liquid screed machine - Fuel tank



Détails des pièces

Pos.	Référence	Désignation
1	C23782CST	
2	13107	Red diesel tank cap with key - C.P 60
3	12989	Gasoil level gauge - length 250 mm - CP60
4	12245	5 x 30 cylindrical head screw
5	60031	Ear clamp 11 x 13
6	12390	Gasoil return hose Ø 6 mm (sold by the metre)
7	11544	THEF 8 x 25 screw
8	80269	Grower washer ø 8
9	30292	ø 8 inox large washer
10	12504	
11	91031	Steel gasket for hollow screw with 3/8 lip
12	90238	3/8" low-pressure male plug
13	14708	M1/8 ø 8 elbow screw push-in connector

Pos.	Référence	Désignation
14	15570	14