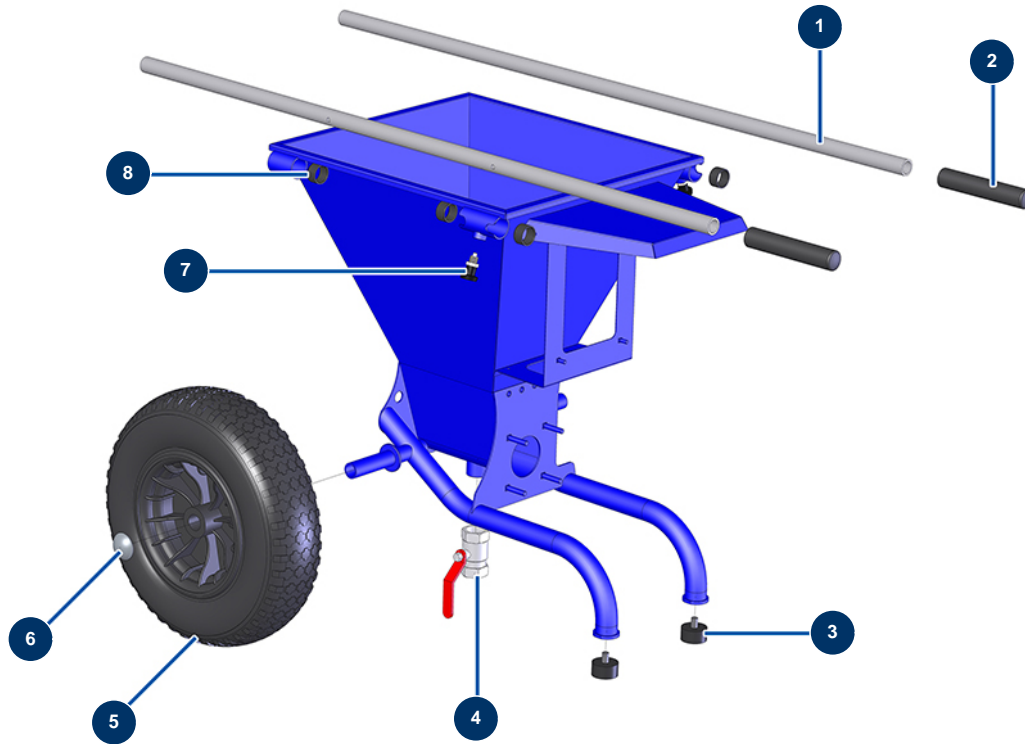


COMPACT-PRO 10 JOINT spraying machine - Chassis



Détails des pièces

Pos.	Référence	Désignation
1	C21326	JETMIX 80 / Blowing machine arm
2	90255	Arm handle for EUROPRO 24P, E50 and E100
3	30145	Ø 40 x 20 M10 stop
4	70031	Drain valve for EUROPRO 4-6-8-14 P, MPE, AG, 7000z, 9000z
5	80003	Ø400 complete wheel with shaft of 25 for 100TH, MPE 300
6	90282	Ø25 chromed clip
7	13454	M12 X 1.5 indexage pin
8	13453	Cylindrical bearing 26/30 x 16