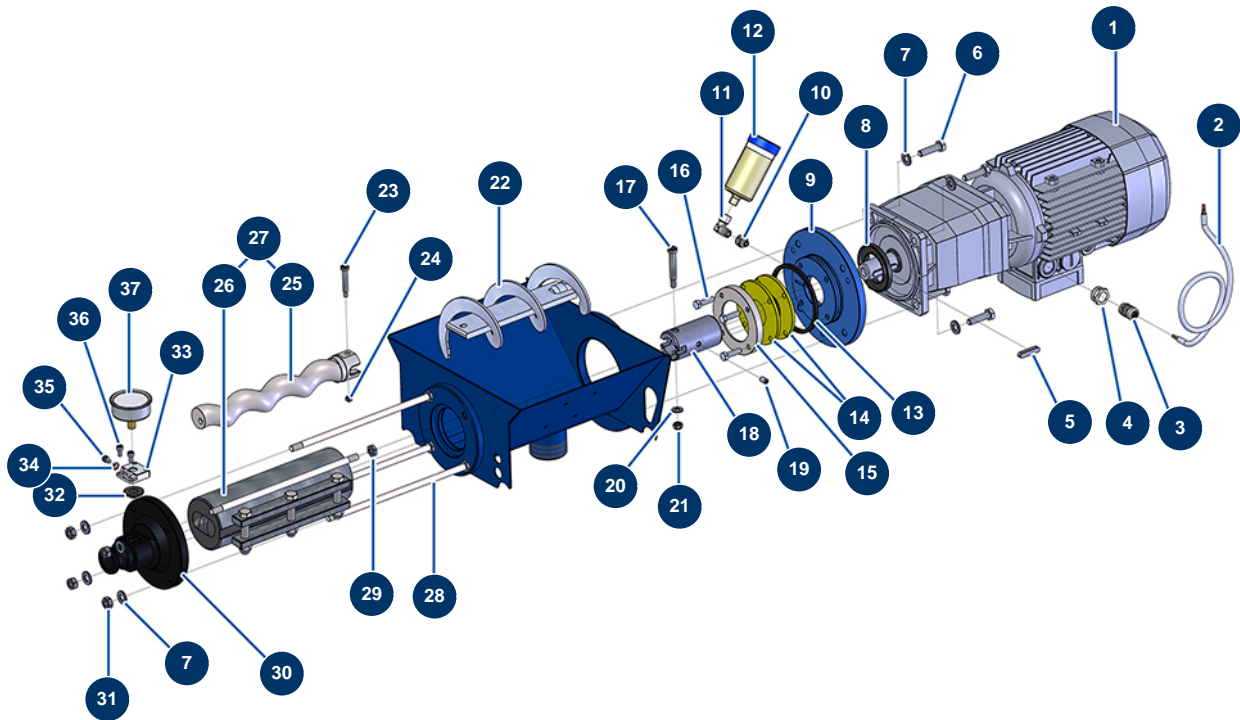


COMPACT-PRO 40 spraying machine - Transmission



Détails des pièces

Pos.	Référence	Désignation
1	12033	Geared motor 3 kW - TC322 - R9,3 - 1400 rpm - 400V
2	90606	Shielded cable 4 x 1,5 by the metre
3	30082	Nickel plated watertight cable gland of 11
4	80446	Cable gland reduction M 25-11
5	11999	8 x 7 x 40 parallel key with round end
6	30259	THEF 10 x 40 screw
7	80261	ø 10 inox medium washer
8	70107	Spi seal 50 x 80 x 8 for 24P,24PT, MPE300, COMPACT-PRO 30
9	11334	Motor spacer flange for COMPACT-PRO
10	10899	1/8" MaleD x 1/4" FemaleD low-pressure nipple
11	30121	90° low-pressure elbow 1/4 MaleC x 1/4 FemaleD
12	90639	Automatic greaser
13	11337	COMPACT-PRO 30 4-lobes seal for motor spacer flange

Pos.	Référence	Désignation
14	11300	COMPACT-PRO 30 tank base gasket
15	M10190	COMPACT-PRO 30 gasket support ring
16	30205	THEF 8 x 30 screw
17	11359	CP 30 transmission shaft screw pin
18	11336	Drive shaft for CP 20, 30 & 40
19	11360	Socket head screw M 8 x 16
20	80260	ø 8 inox medium washer
21	13980	M 8 nylstop inox nut
22	11357	CP 30 to 50 connecting rod
23	90520	CP 30 rotor screw pin
24	14217	M 6 nylstop inox nut
25	MI7009107300	EUROPRO MAP 5/6 pump rotor CP30-type head
26	MI3F00529400	EUROPRO MAP 6 D8-1,5 adjustable pump stator
27	30446	EUROPRO MAP 6 pump rotor/stator kit
28	60010	Fastening tie rod for MAP 5/6
29	13979	M10 flat inox nut
30	90125	EUROPRO 24 P and COMPACT-PRO 30 stator flange
31	13978	M10 inox nut
32	MI4920006000	Membrane
33	M10079	MIXPRO 14 cage cover
34	12765	Copper seal for JETPRO 80 pump nose
35	12625	6 x 8 cylindrical head screw
36	12112	6 x 12 cylindrical head screw
37	80070	Axial manometer 1/4" conical oil 50 mm 0 to 60 bar