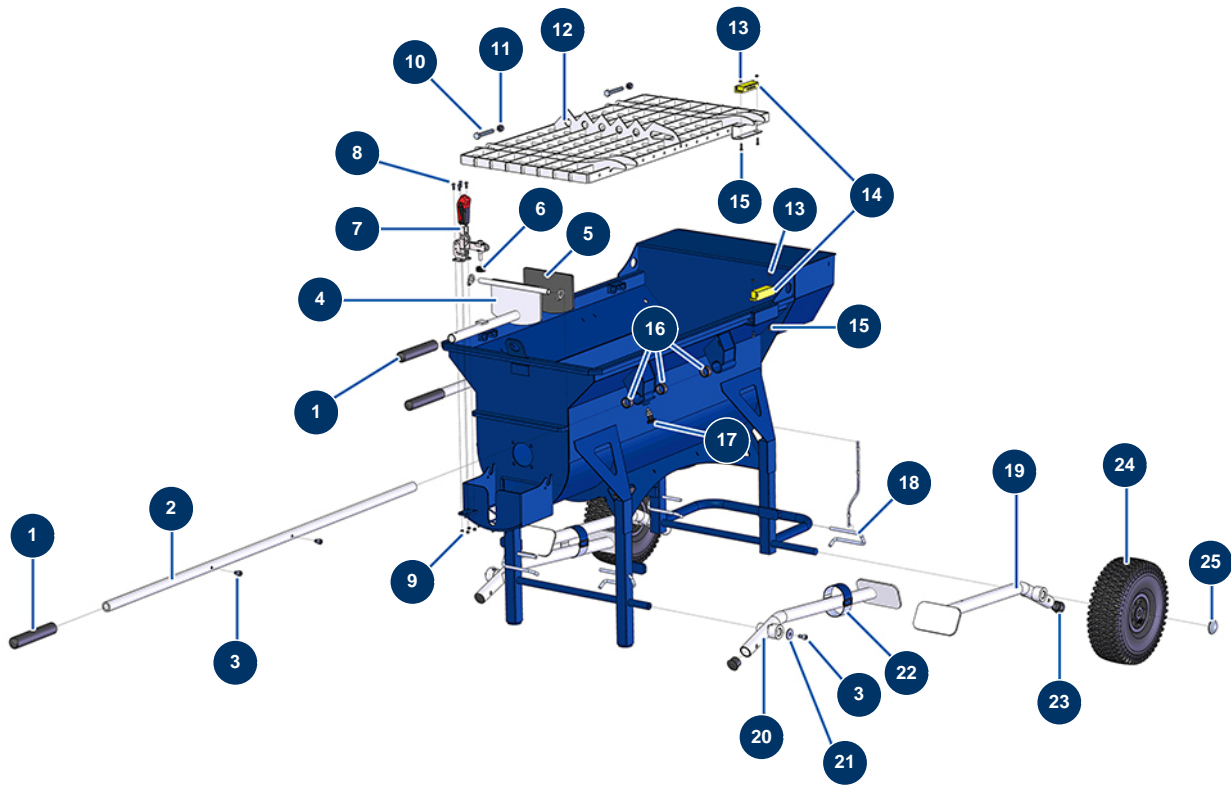


## MIXPRO 100 sequential mixer - Chassis



### Détails des pièces

Pos.	Référence	Désignation
1	90255	Arm handle for EUROPRO 24P, E50 and E100
2	C21327	COMPACT-PRO 30 to 55 machine arm from March 2020
3	90151	8 x 10 cylindrical head screw
4	C20201	MIXPRO 100 trap door
5	12231	MIXPRO 100 mixer trapdoor gasket
6	12219	Ø 25 x 10 F8 stop
7	12142	MIXPRO 100 product trapdoor locking clamp
8	90161	5 x 12 inox cylindrical head screw
9	11880	M 5 nylstop nut
10	12163	THEF 10 x 70 inox screw
11	13981	M 10 nylstop inox nut
12	C20200	MIXPRO 100 safety grid
13	30266	M 4 nylstop nut

Pos.	Référence	Désignation
14	12120	Grid safety sensor for JETMIX, MIXPRO 14, 70 & 100
15	90137	4 x 16 cylindrical head screw
16	13453	Cylindrical bearing 26/30 x 16
17	13454	M12 X 1.5 indexage pin
18	C20226	MIXPRO 100 feet locking hook
19	C20202	MIXPRO 100 right foot
20	C20204	MIXPRO 100 left foot
21	80263	Very large inox washer Ø 8
22	12204	Ring strap 38 x 400 mm with plastic buckle
23	13693	Black plastic end cap for ø 34 round tube
24	90692	Complete wheel 300 shaft of 20
25	90282	Ø25 chromed clip