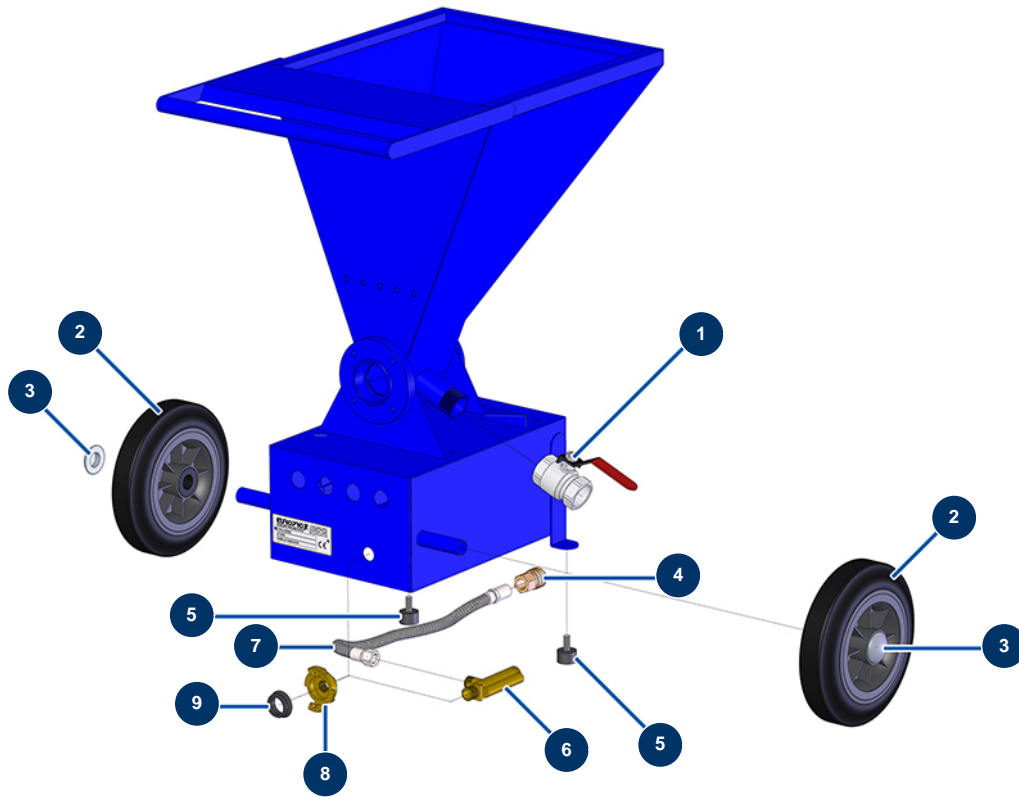


DROPPRO 4P spraying machine - Chassis and air circuit



Détails des pièces

Pos.	Référence	Désignation
1	70031	Drain valve for EUROPRO 4-6-8-14 P, MPE, AG, 7000z, 9000z
2	90720	Complete wheel 200 shaft 20 for 4P and MPE 50
3	90281	Ø20 chromed clip
4	70034	3/8" outer threaded female quick connector
5	30146	Ø 25 x 15 M8 stop for EUROPRO 4P
6	30005	Flowmeter for EUROPRO 4-6-8-14 and 24 P
7	30139	4 P flow meter air hose
8	70054	3/8" inner threaded quick fit coupling
9	MI3A00100502	Domed rubber gasket for Geka coupling