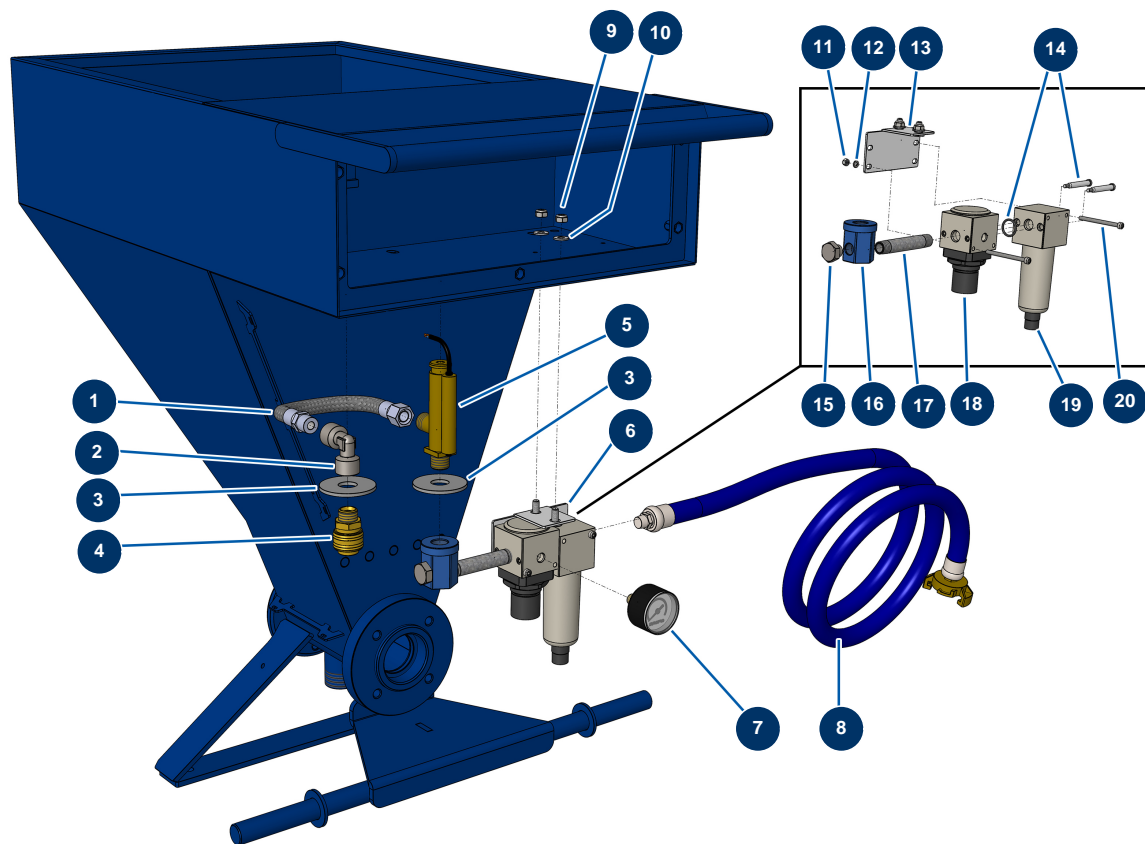


DROPPRO 8P spraying machine - Air circuit



Détails des pièces

Pos.	Référence	Désignation
1	30138	Flow meter air hose 6 and 8 P
2	70024	Elbow BP 90° 3/8 FemaleD x 3/8 FemaleD
3	10003	ø 16 large washer
4	70034	3/8" outer threaded female quick connector
5	30005	Flowmeter for EUROPRO 4-6-8-14 and 24 P
6	14389	1/4" ASCA filter/regulator after-sales service replacement kit
7	80023	Axial manometer 1/8 conical 40 mm 0 to 10 bar
8	90543	6-8-14 and 24 P machine supply air hose
9	14217	M 6 nylstop inox nut
10	80259	Ø 6 medium washer
11	30266	M 4 nylstop nut
12	30267	ø 4 inox narrow washer
13	C22419	DROPPRO 8P & 14P air regulation support

Pos.	Référence	Désignation
14	14385	DropPro 8P & 14P 1/4" filter regulator assembly kit from 01/01/2019
15	30118	1/4" low-pressure male plug
16	10033	6, 8 and 14P nickel-plated brass air inlet coupling
17	90604	Nipple 1/4M-M length 80 mm
18	14383	DropPro 8P & 14P 1/4" air regulator from 01/01/2019
19	14384	Filter for DropPro 8 & 14P 1/4" regulator from 01/01/2019
20	14380	4 x 55 cylindrical head screw