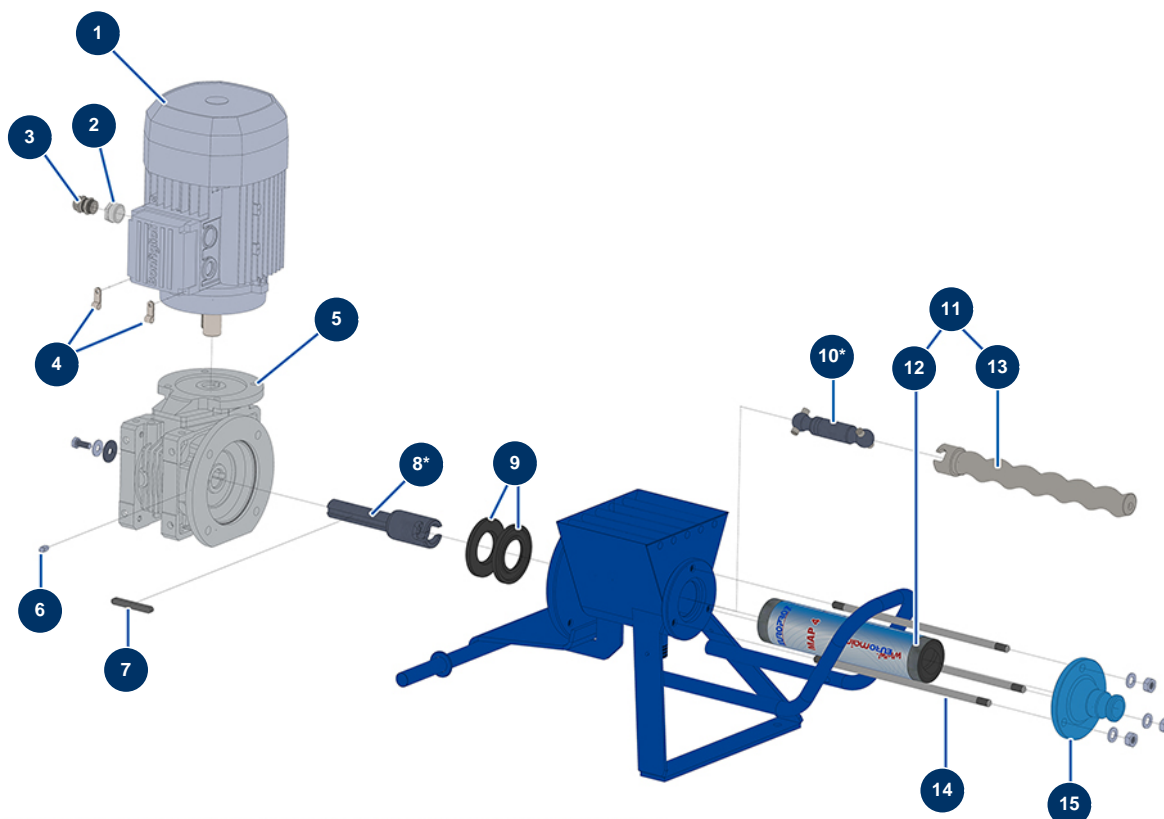


DROPPRO 14P spraying machine - Transmission (until 02/2020)



** pour les modèles avant septembre 2019, il est impératif de commander ces 2 pièces.
for models before September 2019, it is mandatory to order this 2 parts.*

Détails des pièces

Pos.	Référence	Désignation
1	30044	Electric motor 1,85 kW - T90 - B14 - 1400 rpm - 400V
2	80446	Cable gland reduction M 25-11
3	30040	Nickel plated watertight cable gland of 11 CEM
4	90266	Cable support Ø 7.9
5	90504	Speed reducer 90° - T63 - R15 - B14/T90
6	60012	M6 straight lubricator
7	90749	8 x 7 x 65 parallel key with round end for 6P,8P,14P,7000z,9000z
8*	M10646	Bayonet drive shaft for DROPPRO 14P
9	90726	Spi seal 40 x 80 x 7 for 14P
10*	M10661	DROPPRO 14P connecting rod
11	30444	EUROPRO MAP 4 pump rotor/stator kit
12	MI3F00529300	EUROPRO MAP 4 SX pump stator
13	MI7009107200	EUROPRO MAP 4 pump rotor with slit head

Pos.	Référence	Désignation
14	10035	Fastening tie rod for EUROPRO 14P, MPE 200, AG 140
15	10010	Blue stator flange for EUROPRO 8P and 14P