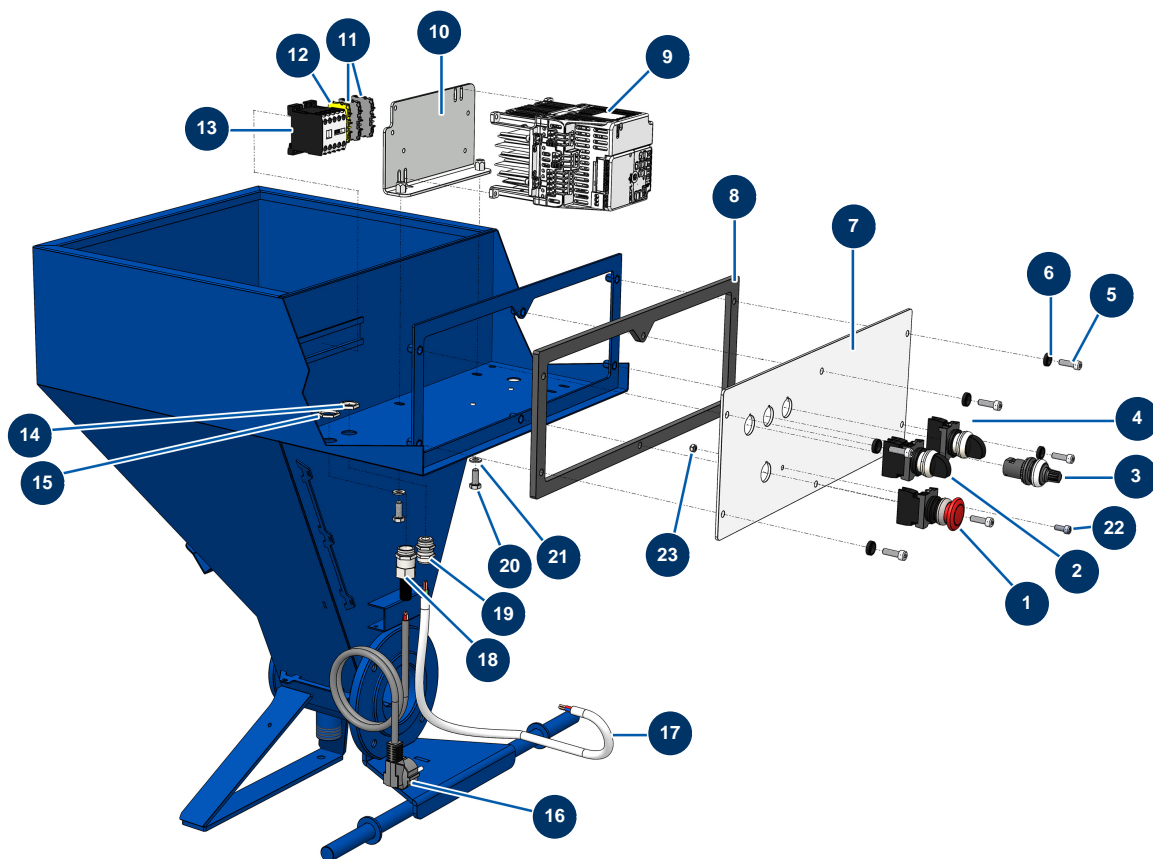


## DROPPRO 14P spraying machine - Electrical box



### Détails des pièces

Pos.	Référence	Désignation
1	90038	Complete EMERGENCY STOP button Ø 22
2	30034	Complete ON button
3	80645	Spraying machine complete potentiometer from MARCH 2003
4	30014	Complete MANU-AUTO button
5	80470	8 x 20 cylindrical head screw
6	80573	Hollow washer Ø 6
7	30272	14 P electrical box holder
8	90734	EUROPRO 14 P box gasket
9	80458	Inverter 230 V - 1,5 kW
10	10002	4 & 8 P electronic control support
11	80467	Grey conductor block 4 mm <sup>2</sup>
12	30038	Yellow and green conductive block 6 mm <sup>2</sup>
13	30011	230 Volt coil switch for sprayer

<b>Pos.</b>	<b>Référence</b>	<b>Désignation</b>
14	30333	Cable gland locknut of 11 CEM
15	30060	11mm cable gland nut
16	90180	Supply cable with moulded plug 3G 1,5 mm <sup>2</sup>
17	90606	Shielded cable 4 x 1,5 by the metre
18	80450	cable gland for 11mm supply cable
19	30040	Nickel plated watertight cable gland of 11 CEM
20	11544	THEF 8 x 25 screw
21	30288	∅ 16 inox narrow washer
22	90161	5 x 12 inox cylindrical head screw
23	11880	M 5 nylstop nut