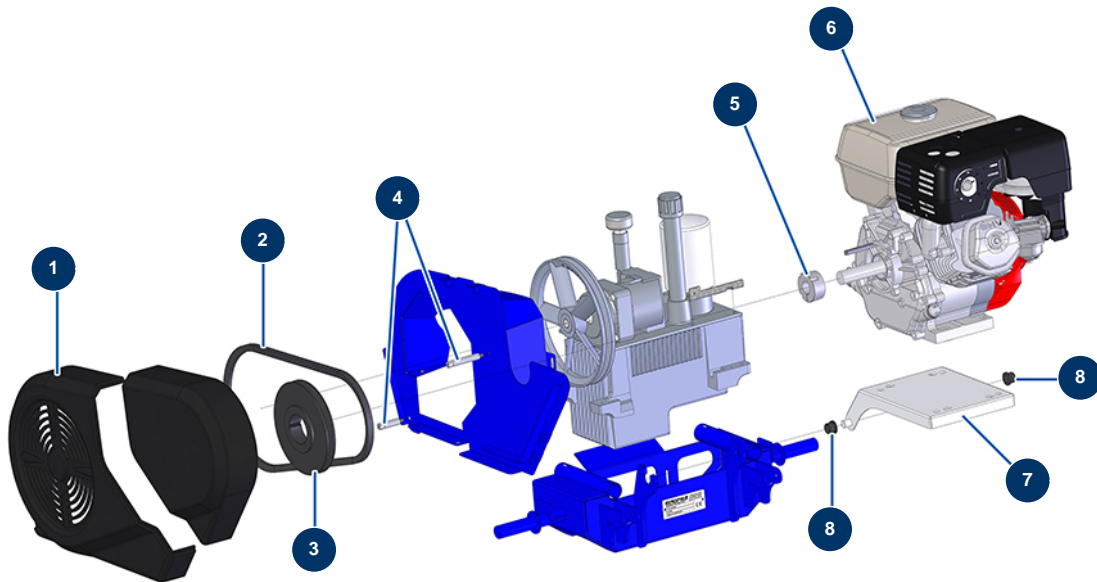


HYDROFUT 1200 HONDA airless piston pump - Motorization



Détails des pièces

Pos.	Référence	Désignation
1	13653	COMPRESSOR E336 complete plastic protection crankcase
2	14224	
3	90554	13 pulley without hub Ø 180
4	M10525	High fastening spacer for HYDROPRO 600 plastic crankcase
5	90558	Removable hub Ø 1" for 1610
6	90618	Petrol motor HONDA GX 270 QX-Q4-OH 9 HP
7	C21802	
8	14227	Bearing with flange 14/20 x 15