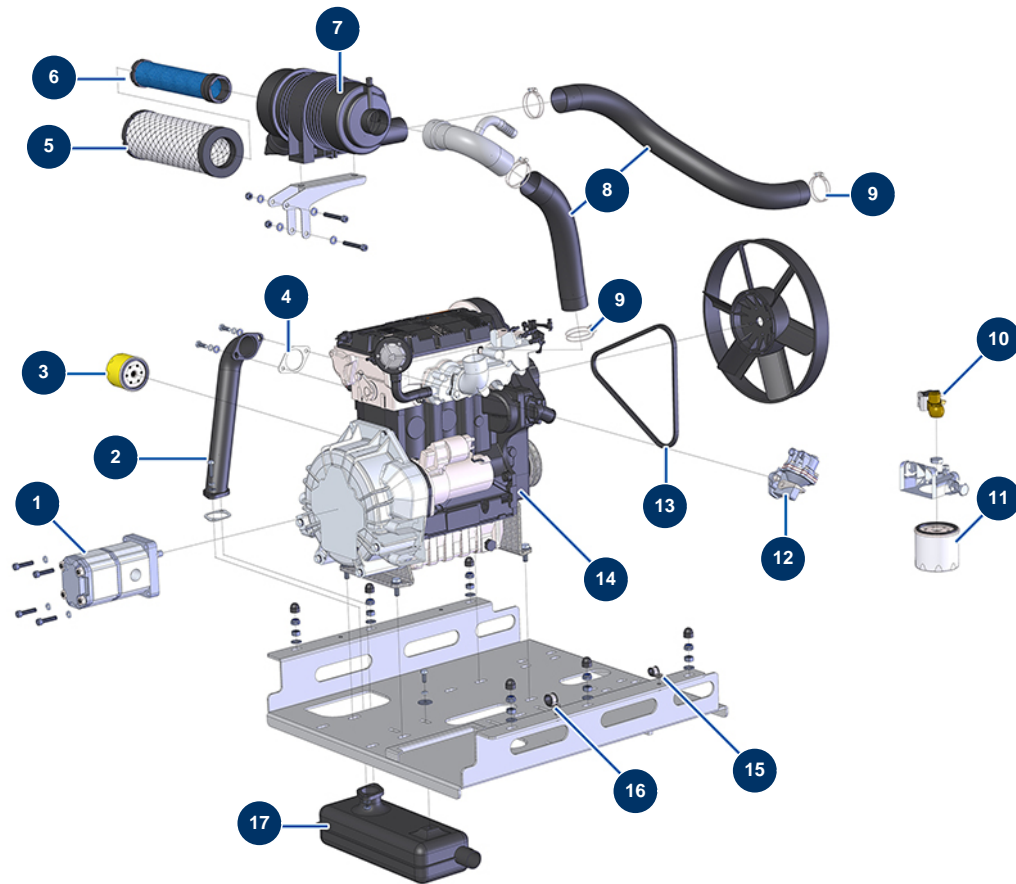


X-PRO D60 spraying machine - Engine



Détails des pièces

Pos.	Référence	Désignation
1	12405	Double hydraulic pump 14 + 8 cc - C.P 60
2	C20362	Exhaust tube 3-cylinder diesel CP60 V17
3	80334	FOCS LDW1003, KDW1003 motor oil filter
4	30793	LOMBARDINI motor exhaust pipe gasket - C.P 60
5	30762	Donaldson filter standard air cartridge for KOHLER KDW 1003 & 1404 motors
6	30763	Donaldson filter safety air cartridge for KOHLER KDW 1003 & 1404 motors
7	30761	Complete Donaldson cyclonic air filter for KOHLER KDW 1003 & 1404 engine
8	12538	PVC GAS sheath Ø 50 by the metre - C.P 60
9	12723	Double wire clamp ø 56 x 65 - CP 60
10	30769	LOMBARDINI 27 hp diesel filter solenoid valve - C.P 60
11	80333	27 hp LOMBARDINI motor diesel filter
12	30748	27 hp LOMBARDINI diesel priming pump - C.P 60
13	30714	FOCS LDW 1003 alternator belt - C.P 60

Pos.	Référence	Désignation
14	91197	Diesel motor KOHLER KDW 1003 gear
15	13951	∅ 12 cable collar - CP 60
16	13179	∅ 20 cable collar - CP 60
17	30539	CP 60 diesel motor exhaust