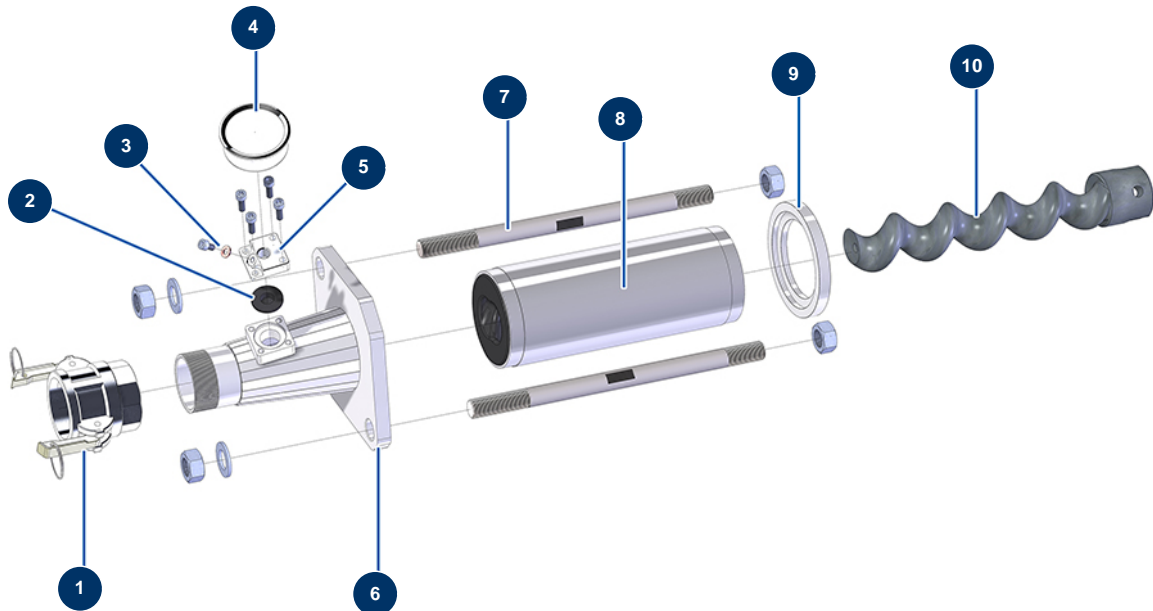


X-PRO D60 spraying machine - Pump (E.W.I.)



Détails des pièces

| Pos. | Référence | Désignation |
|------|--------------|--|
| 1 | 12364 | 2" camlock steel coupling, inner threaded 2" - CP 60 |
| 2 | 12126 | MIXPRO 14 pump head manometer membrane |
| 3 | 12765 | Copper seal for JETPRO 80 pump nose |
| 4 | 80070 | Axial manometer 1/4" conical oil 50 mm 0 to 60 bar |
| 5 | M10079 | MIXPRO 14 cage cover |
| 6 | C20500 | Pump head clamp for 2L6 stator - C.P 60 |
| 7 | M10354 | 330 mm fastening tie rod for CP 60 |
| 8 | MI3F00522201 | EUROPRO MAP 8 SX pump stator |
| 9 | M10361 | CP60 stator centring ring |
| 10 | MI7009043700 | EUROPRO MAP 8 pump rotor |