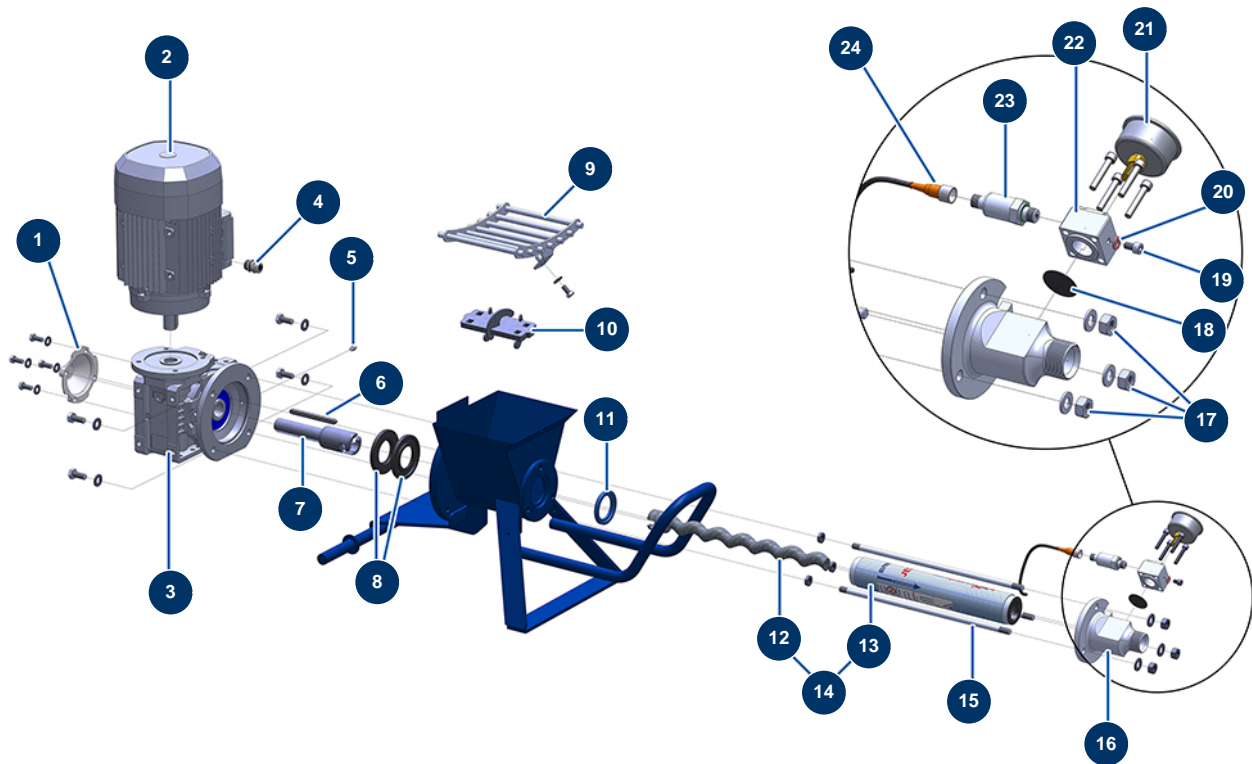


MINIJET 120 complete atomizer - Transmission (from 12/2019 to 12/2020)



Détails des pièces

Pos.	Référence	Désignation
1	90287	14 P2 & 24 P gear reducer plastic cover
2	90189	Electric motor 2,2 kW - T90 - B14 - 1400 rpm - 400V
3	13458	Speed reducer 90° - T63 - R10 - B14/T90
4	30040	Nickel plated watertight cable gland of 11 CEM
5	60012	M6 straight lubricator
6	90750	8 x 7 x 100 parallel key with round end for 24P et PT
7	M10692	Bayonet driving shaft for MINIJET 120
8	90726	Spi seal 40 x 80 x 7 for 14P
9	C22509	Removable grid for DROPPRO 14P & MINJET 120
10	C22725	MINIJET 120 connecting rod from 12/2019
11	80492	14 P stator reduction ring
12	MI7009107700	EUROPRO JET 2 chromed pump rotor with bayonet head
13	MI3F00529100	EUROPRO JET 2-80SH pump stator

Pos.	Référence	Désignation
14	30791	EUROPRO JET 2 pump rotor/stator kit
15	M10226	Fastening tie rod for JETPRO 80
16	M10227	Stator flange for JETPRO 80
17	90453	M 10 nut
18	12913	Pump nose manometer membrane for JETPRO 80, 120, JETBAG 120
19	90798	M6 x 10 cylindrical head screw - CP 60 cylindrical head screw
20	12765	Copper seal for JETPRO 80 pump nose
21	12623	50 mm axial manometer 1/4" conical - 0 to 160 bar
22	M10228	Stator flange lid for JETPRO 80
23	12560	250 bar pressure sensor for JETPRO and JETBAG 120
24	12409	M12 straight female connector with 2m cable