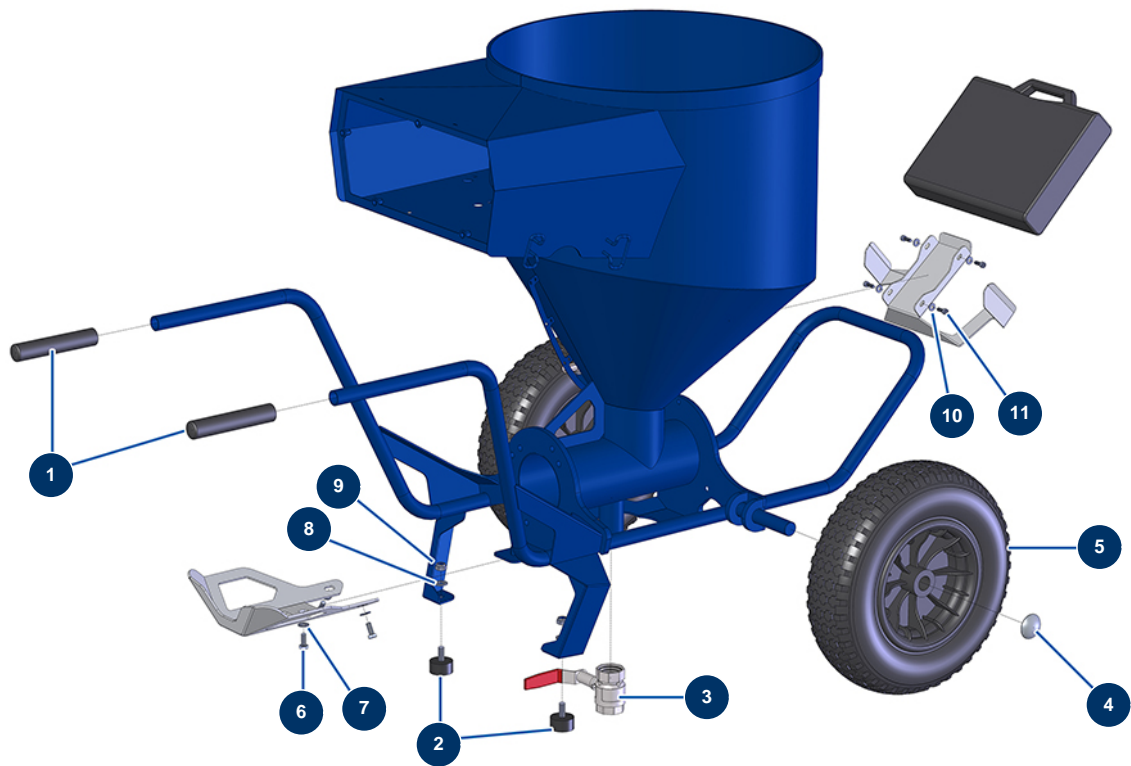


DROPPRO 30P spraying machine - Chassis



Détails des pièces

Pos.	Référence	Désignation
1	90255	Arm handle for EUROPRO 24P, E50 and E100
2	30145	Ø 40 x 20 M10 stop
3	14584	EUROPRO DROPPRO 30P drain valve
4	90282	Ø25 chromed clip
5	80003	Ø400 complete wheel with shaft of 25 for 100TH, MPE 300
6	30273	THEF 8 x 20 screw
7	80260	ø 8 inox medium washer
8	80261	ø 10 inox medium washer
9	13981	M 10 nylstop inox nut
10	80259	Ø 6 medium washer
11	90996	6 x 20 inox cylindrical head screw