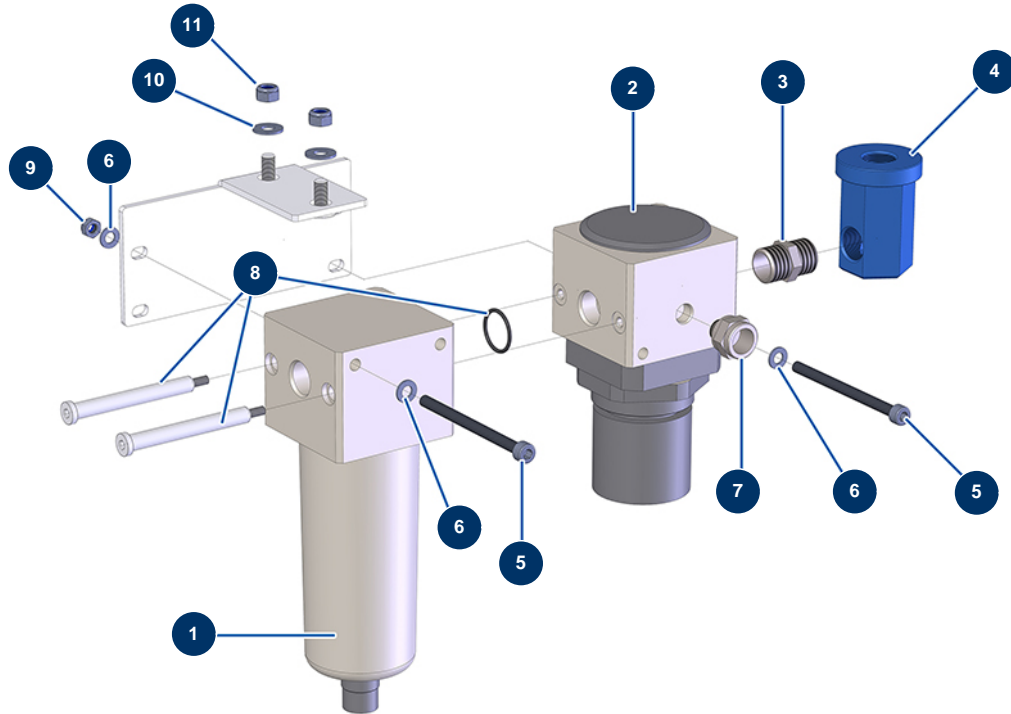


DROPPRO 30P spraying machine - Regulating filter



Détails des pièces

Pos.	Référence	Désignation
1	14387	Filter for DropPro 30P 3/8" regulator from 01/05/2019
2	14386	DropPro 30P 3/8" air regulator from 01/05/2019
3	30367	3/8" MaleC x 3/8" MaleC low-pressure nipple
4	90110	24 P nickel plated brass air inlet coupling
5	12447	5 x 70 cylindrical head screw
6	70085	ø 5 narrow washer
7	10899	1/8" MaleD x 1/4" FemaleD low-pressure nipple
8	14388	DropPro 30P 3/8" filter regulator assembly kit from 01/05/2019
9	70086	M 5 nylstop inox nut
10	30291	ø 6 large washer
11	20004	M 6 nylstop nut