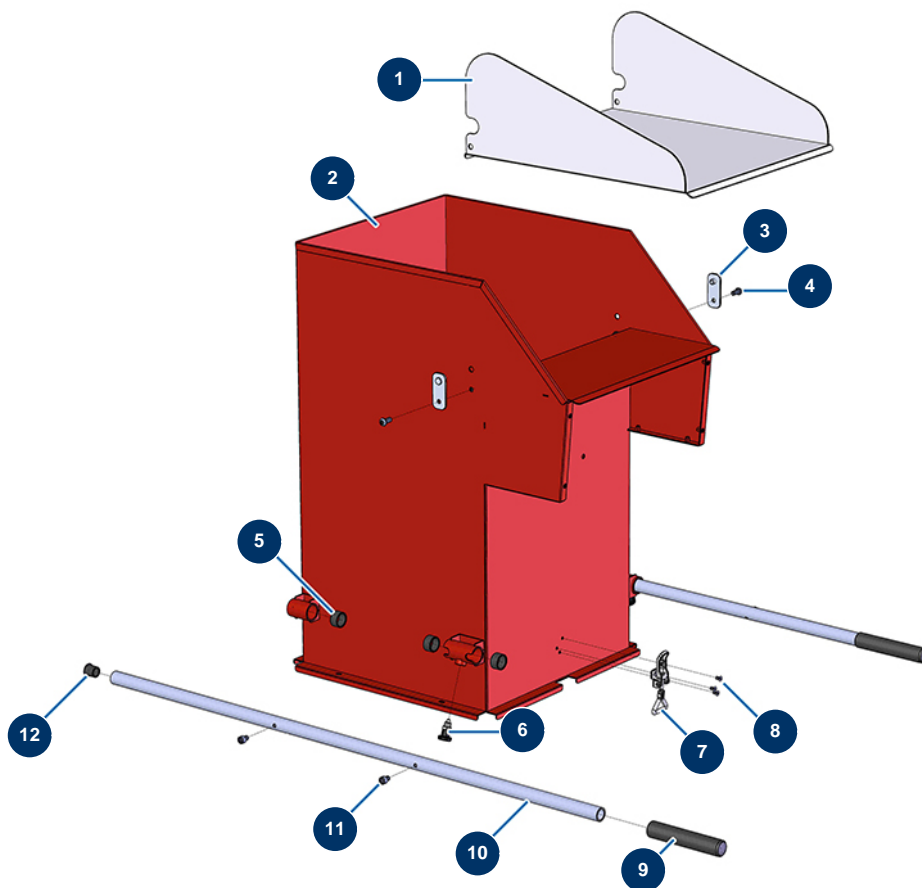


TURBISOL 56/2 blowing machine - Tank



Détails des pièces

Pos.	Référence	Désignation
1	C20621	TURBISOL 56 Evo 2, 112/2 & 164/2 blowing machine closing trap
2	C22589	TURBISOL 56 Evo 2, 112/2 & 164/2 blowing machine upper hopper
3	C20623	TURBISOL 56 Evo 2, 112/2 & 164/2 blowing machine trap fixing support
4	12111	8 x 20 inox cylindrical pan head screw
5	13453	Cylindrical bearing 26/30 x 16
6	13454	M12 X 1.5 indexage pin
7	15021	Adjustable toggle without hook
8	90130	5 x 16 countersunk head screw
9	90255	Arm handle for EUROPRO 24P, E50 and E100
10	C21326	JETMIX 80 / Blowing machine arm
11	90151	8 x 10 cylindrical head screw
12	90870	Black plastic end cap for ø 25 round tube