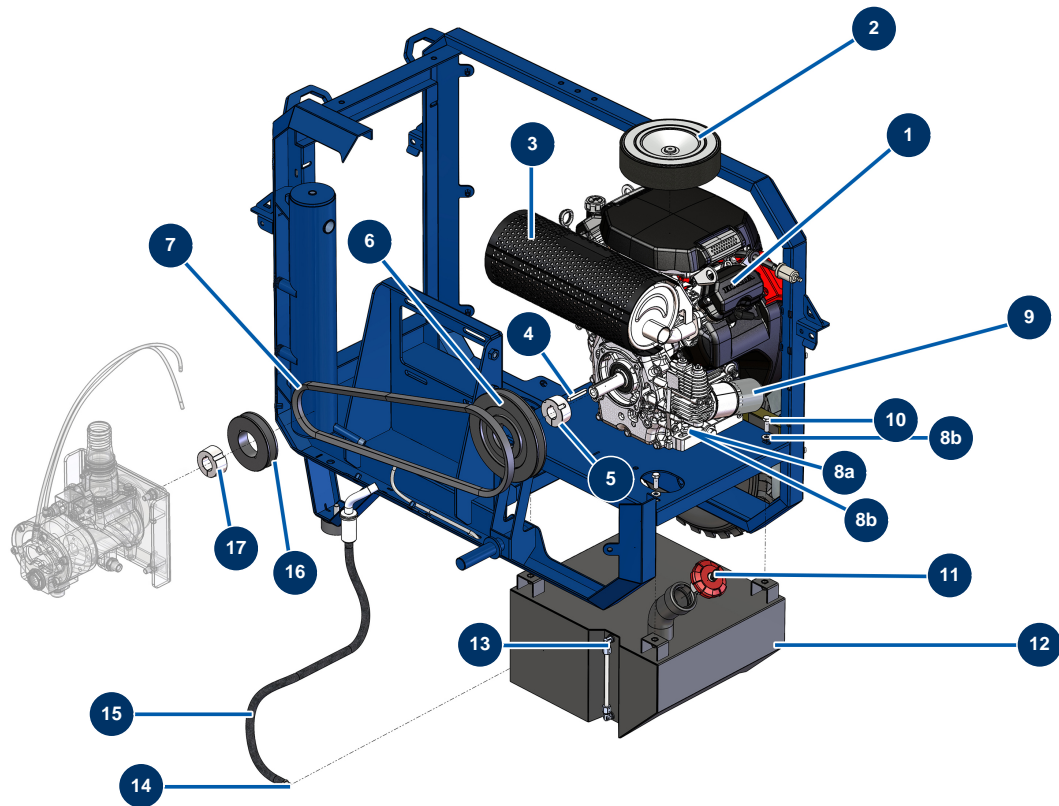


EUROPRO 150 TH Honda compressor - Motorization



Détails des pièces

Pos.	Référence	Désignation
1	14933	Petrol motor HONDA GX 630RH 16 HP, electric start, tankless
2	60084	GX 630 motor air filter
3	14934	HONDA 16 hp thermal motor exhaust with protection grid
4	90752	6,35 x 6,35 x 50 parallel key with round end
5	15043	
6	15042	
7	15039	
8a	11798	THEF 8 x 45 screw
8b	80260	ø 8 inox medium washer
9	60085	GX 630 motor oil filter
10	11544	THEF 8 x 25 screw
11	13107	Red diesel tank cap with key - C.P 60
12	C22828	12

Pos.	Référence	Désignation
13	14708	M1/8 ø 8 elbow screw push-in connector
14	80094	1/4" corrugated outer threaded coupling Ø 10
15	30405	Calibrated polyurethane tube ø 7,5 x 10 black by the metre
16	15040	
17	15041	