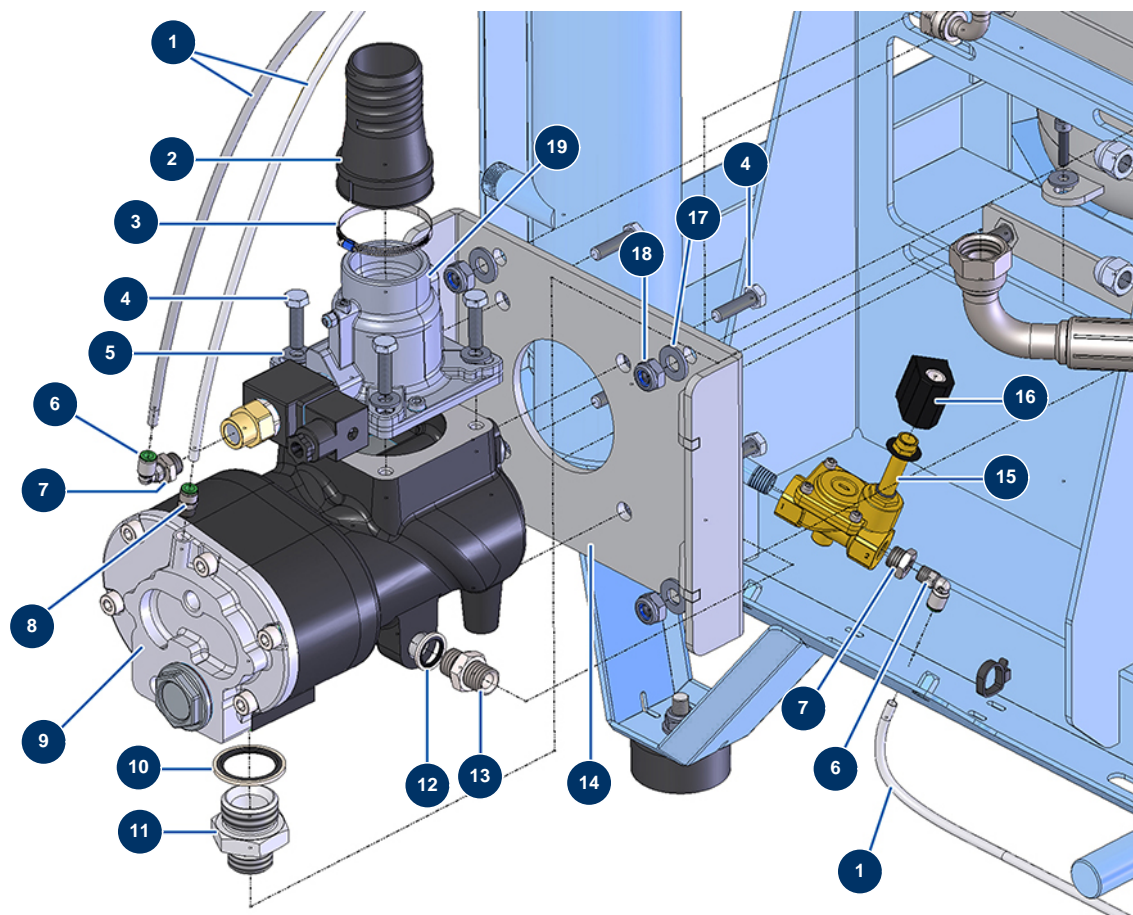


## EUROPRO 150 TH Honda compressor - Compression head



### Détails des pièces

Pos.	Référence	Désignation
1	30403	Calibrated polyurethane tube $\varnothing$ 4 x 6 black by the metre
2	M10693	
3	30401	Worm gear clamp 38 x 50 x 9
4	11544	THEF 8 x 25 screw
5	80260	$\varnothing$ 8 inox medium washer
6	30124	Corrugated Legris coupling M1/8" $\varnothing$ 6
7	90240	1/4" MaleC x 1/8" FemaleD low-pressure reduction
8	91038	Legris straight coupling M1/8 $\varnothing$ 6
9	14560	9
10	12572	Steel gasket for 1" hollow screw with lip
11	12569	3/4" MaleD x 1" MaleD high-pressure nipple
12	91031	Steel gasket for hollow screw with 3/8 lip
13	80276	3/8" MaleD x 3/8" MaleC high-pressure nipple

<b>Pos.</b>	<b>Référence</b>	<b>Désignation</b>
14	C22800	14
15	13279	Solenoid valve alone N.O 1/4.F
16	14199	Water meter solenoid valve 12V DC coil - CP 60 & 80
17	80261	ø 10 inox medium washer
18	13981	M 10 nylstop inox nut
19	14562	19