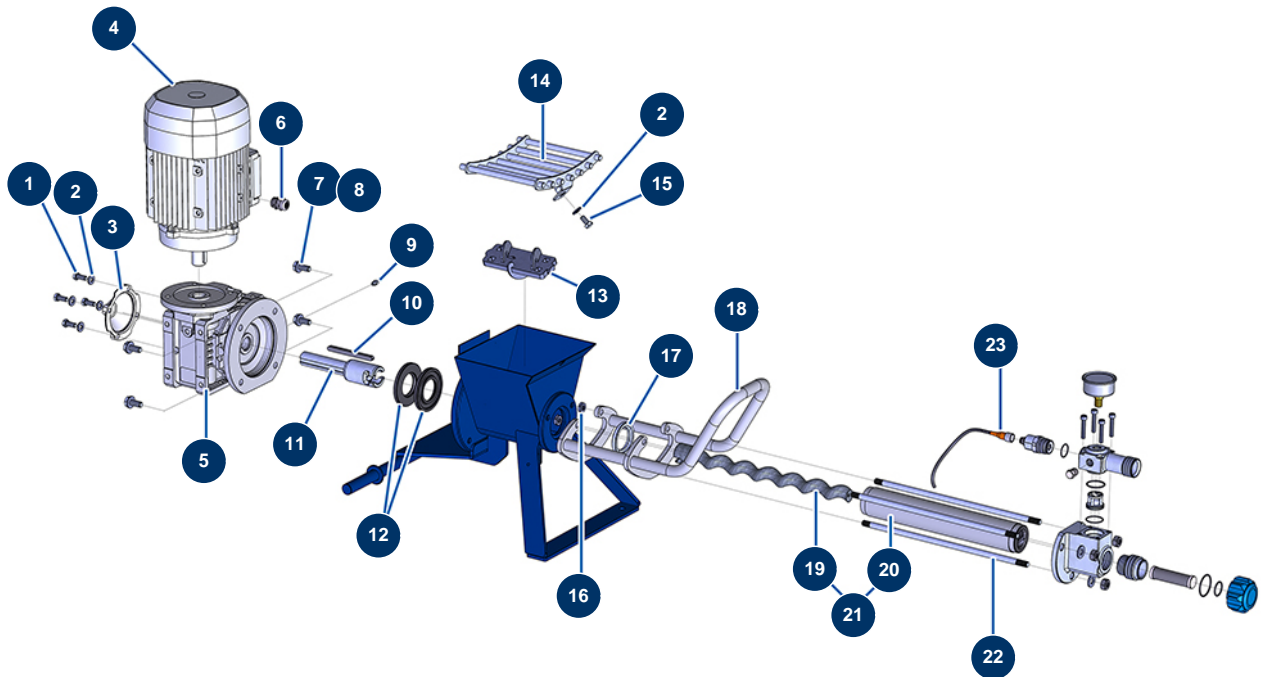


MINIJET 120 complete atomizer - Transmission (from 2021)



Détails des pièces

Pos.	Référence	Désignation
1	30273	THEF 8 x 20 screw
2	80260	ø 8 inox medium washer
3	90287	14 P2 & 24 P gear reducer plastic cover
4	90189	Electric motor 2,2 kW - T90 - B14 - 1400 rpm - 400V
5	13458	Speed reducer 90° - T63 - R10 - B14/T90
6	30040	Nickel plated watertight cable gland of 11 CEM
7	30257	THEF 10 x 25 screw
8	80261	ø 10 inox medium washer
9	60012	M6 straight lubricator
10	90750	8 x 7 x 100 parallel key with round end for 24P et PT
11	M10646	Bayonet drive shaft for DROPPRO 14P
12	90726	Spi seal 40 x 80 x 7 for 14P
13	C23391	MINIJET 120 connecting rod from 2024

Pos.	Référence	Désignation
14	C22509	Removable grid for DROPPRO 14P & MINJET 120
15	30295	THEF 8 x 16 screw
16	13979	M10 flat inox nut
17	80492	14 P stator reduction ring
18	C22982	DROPPRO & MINIJET pump handle
19	MI7009107700	EUROPRO JET 2 chromed pump rotor with bayonet head
20	MI3F00529100	EUROPRO JET 2-80SH pump stator
21	30791	EUROPRO JET 2 pump rotor/stator kit
22	M10226	Fastening tie rod for JETPRO 80
23	12409	M12 straight female connector with 2m cable