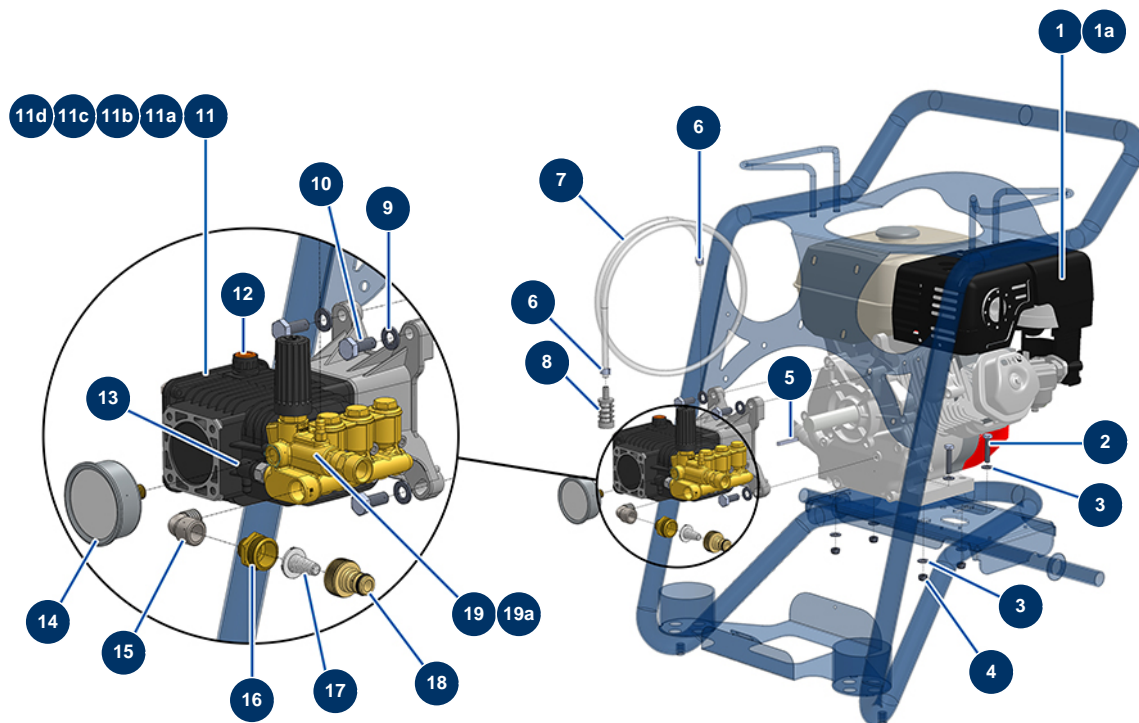


## EUROROLAV 15-200 TH.2 HONDA washer - Motorization



### Détails des pièces

Pos.	Référence	Désignation
1	10037	Petrol motor HONDA GX 390K1 QX-Q4-OH 13 HP
1a	14685	VANGUARD 14 HP thermal motor
2	30250	THEF 8 x 40 screw
3	80260	ø 8 inox medium washer
4	13980	M 8 nylstop inox nut
5	90752	6,35 x 6,35 x 50 parallel key with round end
6	60031	Ear clamp 11 x 13
7	90541	Clear air hose Ø 6 by the metre
8	90310	Detergent vacuum strainer
9	30280	ø 10 inox narrow washer
10	30257	THEF 10 x 25 screw
11	90737	15-litre pump 275 bar with 3,400 rpm bypass
11a	AN2186	RSV 12-180 pump valves kit

Pos.	Référence	Désignation
11b	AN2187	RSV 12-180, 15-200, 15-230 pump pistons kit
11c	AN2188	RSV 12-180, 15-200, 15-230 pump oil seal gaskets kit
11d	AN2189	RSV 12-180, 15-200, 15-230 pump water seal gaskets kit
12	AN880130	10-130 ECI, 12-180, 15-200, 15-230 & 18-200 washer pump oil gauge
13	AN2761380	RSV 12-180, 15-200, 15-230 pump thermostatic valve
14	90433	63 mm oil manometer 1/4 conical 0 to 400 bar
15	30120	Elbow BP 90° 3/8 MaleC x 3/8 FemaleD
16	80566	3/8" MaleD x 3/4" MaleD low-pressure nipple
17	80128	Filter for 3/4" brass quick connector
18	80124	Inner threaded 3/4" quick connector
19	AN2769225	RSV 15-200, 15-230 pump pre-fitted head
19a	AN42128	RSV 12-180, 15-200, 15-230 pump integrated bypass repair kit