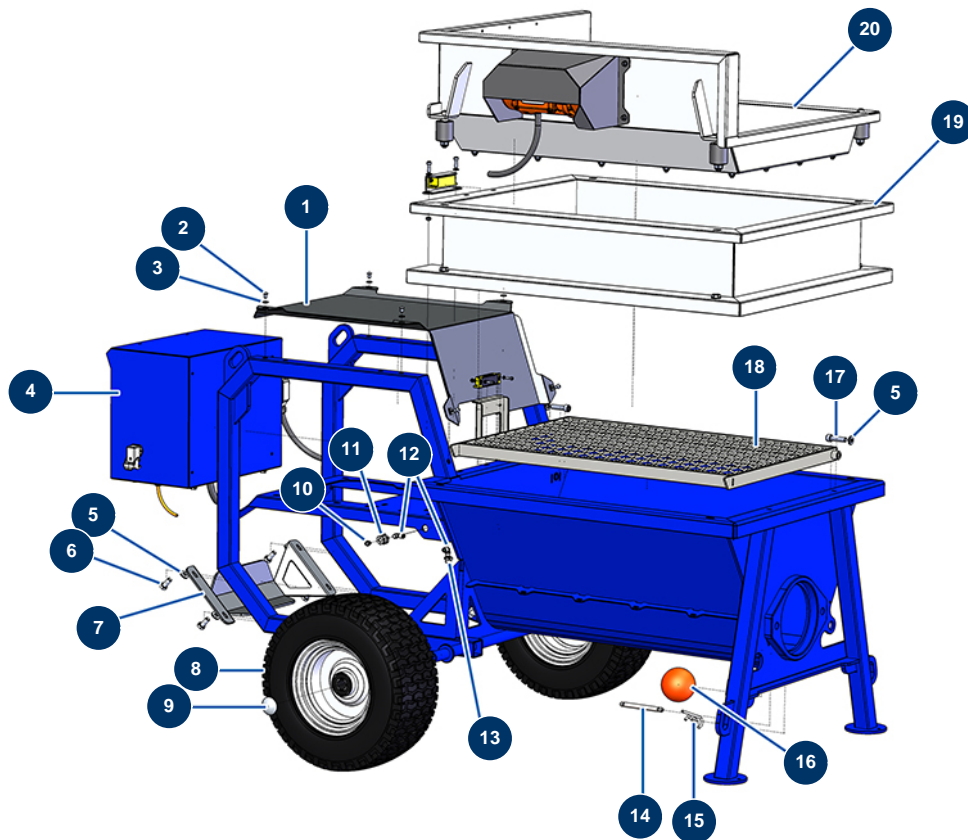


## COMPACT-PRO 100 Tri liquid floor screed machine - Chassis



### Détails des pièces

Pos.	Référence	Désignation
1	C22869	1
2	12110	6 x 20 inox cylindrical pan head screw
3	80259	Ø 6 medium washer
4	20141	4
5	80260	ø 8 inox medium washer
6	11544	THEF 8 x 25 screw
7	C22877	7
8	80372	Complete Ø410 wheel with bearing - axle of 25
9	90282	Ø25 chromed clip
10	20044	1/8" M straight lubricator
11	20159	
12	30124	Corrugated Legris coupling M1/8" Ø 6
13	20084	1/4" MaleD x 1/8" FemaleD high-pressure reduction

Pos.	Référence	Désignation
14	20060	
15	20046	4 mm R pin
16	20048	Cleaning ball ø 100
17	C22882	17
18	C22868	18
19	20142	COMPACT-PRO 55 Tri & 100 Tri machine extension
20	20143	CP 55 & 100 complete vibrating sieve