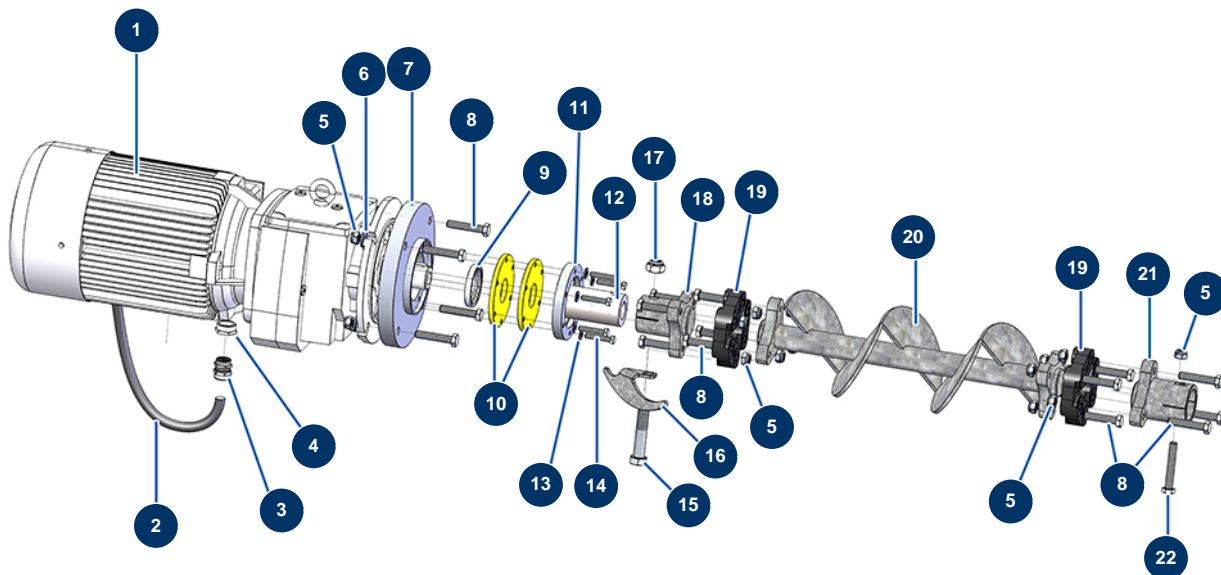


COMPACT-PRO 100 Tri liquid floor screed machine - Transmission



Détails des pièces

Pos.	Référence	Désignation
1	20022	Geared motor 7,5 kW - T132 - R10 - 1400 rpm - 400V
2	20041	H07RNF 4G4 electrical cable by the metre
3	20043	M 25 grey plastic cable gland
4	12814	Cable gland reduction M 32-25
5	10051	M 12 nylstop nut
6	14102	ø 12 inox medium washer
7	20057	ø 250 mm motor flange for X-PRO machine
8	20038	12 x 65 THPF screw
9	20042	Spi seal 55 x 72 x 10
10	20058	X-PRO machine tank bottom gasket
11	20059	X-PRO machine seal flange
12	20056	X-PRO 140, 200 & CP 100 drive shaft
13	80260	ø 8 inox medium washer

Pos.	Référence	Désignation
14	11798	THEF 8 x 45 screw
15	20040	18 x 100 THPF screw
16	C22881	
17	20039	M 18 nylstop nut
18	20053	X-PRO machine motor coupling
19	14661	Transmission shaft elastic coupling - X-PRO D140
20	20054	X-PRO D140, CP 55 & 100 tank bottom drive shaft
21	20055	X-PRO machine rotor coupling
22	20047	THPF screw 12 x 80 raw steel 12.9