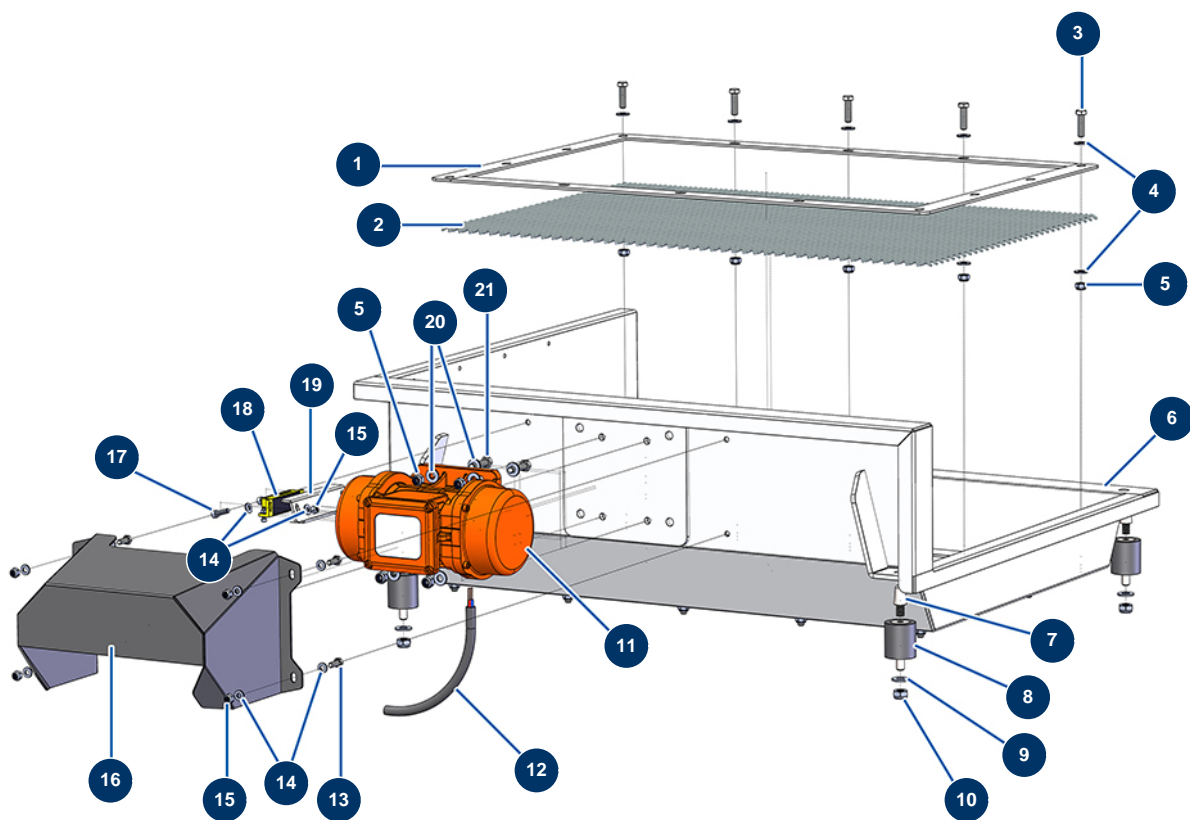


## COMPACT-PRO 100 Tri liquid floor screed machine - Vibrating strainer



### Détails des pièces

| Pos. | Référence | Désignation                                  |
|------|-----------|--|
| 1    | C22873    | 1  |
| 2    | C22883    |  |
| 3    | 30205     | THEF 8 x 30 screw                            |
| 4    | 30292     | ø 8 inox large washer                        |
| 5    | 13980     | M 8 nylstop inox nut                         |
| 6    | C22872    | 6  |
| 7    | 20052     | Conical pin 24 x 12/16 mm M10                |
| 8    | 20172     | Silentbloc ø 40 x 45 M-F10                   |
| 9    | 80261     | ø 10 inox medium washer                      |
| 10   | 13981     | M 10 nylstop inox nut                        |
| 11   | 20024     | 230/400V MVE200 three-phased single vibrator |
| 12   | 30018     | H07RNF 4G1.5 electrical cable by the metre   |
| 13   | 12069     | THEF 6 x 16 screw                            |

| <b>Pos.</b> | <b>Référence</b> | <b>Désignation</b>                                 |
|-------------|------------------|--|
| 14          | 80259            | Ø 6 medium washer                                  |
| 15          | 14217            | M 6 nylstop inox nut                               |
| 16          | C22874           | 16   |
| 17          | 90996            | 6 x 20 inox cylindrical head screw                 |
| 18          | 12120            | Grid safety sensor for JETMIX, MIXPRO 14, 70 & 100 |
| 19          | C23008           | 19   |
| 20          | 80260            | ø 8 inox medium washer                             |
| 21          | 11545            | THEF 8 x 35 inox screw                             |