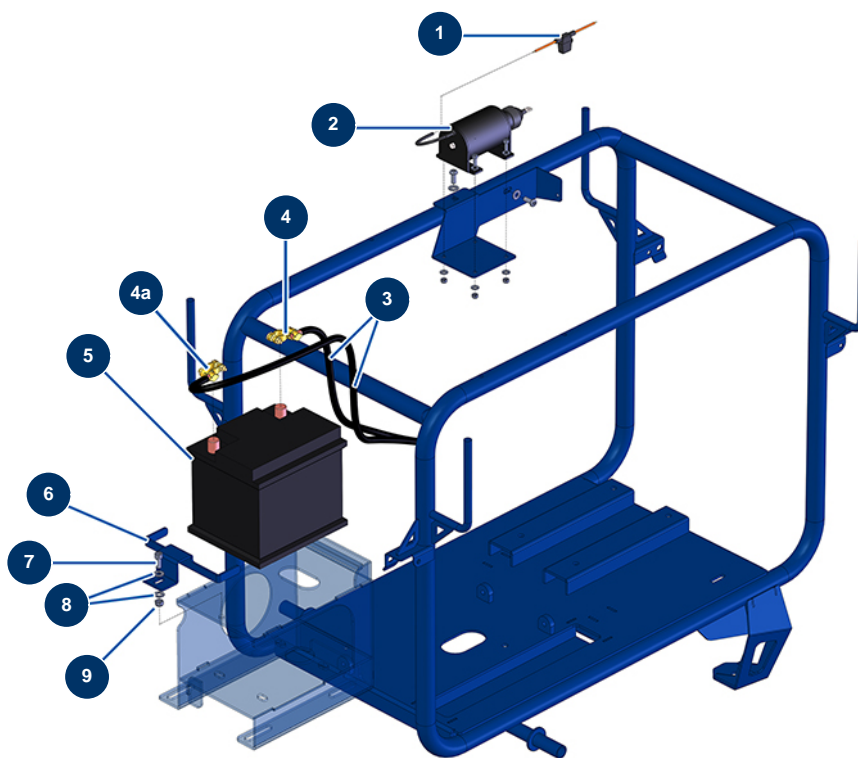


## EUROROLAV 22-500 TH washer - Electricity



### Détails des pièces

Pos.	Référence	Désignation
1	80685	Jumper fuse holder with wires
2	80250	Electric automatic accelerator
3	80234	25 mm <sup>2</sup> battery cable by the metre
4	80230	Battery brass + lug
4a	80231	Battery brass - lug
5	80188	C.P 60 battery
6	C21960	6
7	80470	8 x 20 cylindrical head screw
8	80260	ø 8 inox medium washer
9	13980	M 8 nylstop inox nut