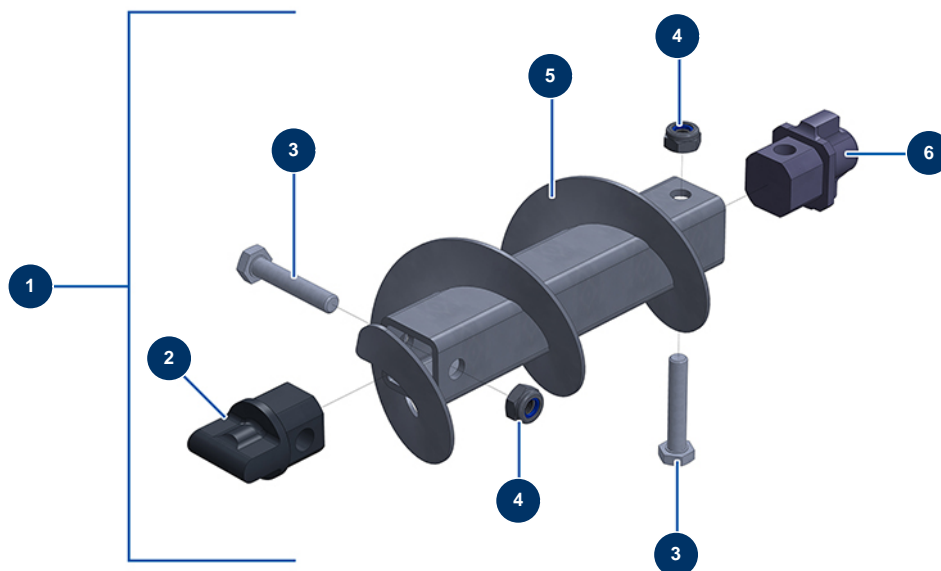


JETPRO 160 complete atomizer - 400V TETRA - Reinforced transmission rod



Détails des pièces

Pos.	Référence	Désignation
1	14869	JETPRO 160 reinforced connecting rod
2	M10485	Bearing pin for JETPRO 160 strengthened connecting rod - rotor side thick.13
3	13587	THEF M10 x 55 screw
4	13981	M 10 nylstop inox nut
5	C21474	Strengthened connecting rod for JETPRO, JETBAG 160
6	M10489	JETPRO 120-160 motor side ball joint