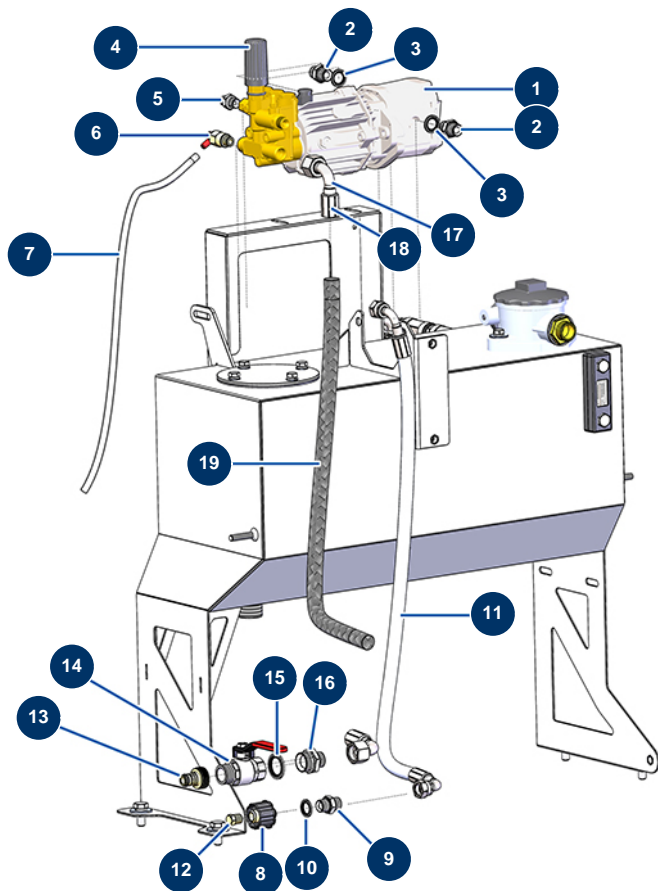


X-PRO D140 liquid screed machine - High Pressure Washer



Détails des pièces

Pos.	Référence	Désignation
1	12406	Washer 6 cc single-direction hydraulic motor - CP 60
2	90872	1/2" MaleD x 3/8" MaleD high-pressure nipple
3	91032	Steel gasket for hollow screw with 1/2" lip
4	90352	Pump 11 litres 140 bar - C.P 60
5	20123	
6	13101	1/4" thermostatic valve
7	20235	7
8	90326	M22-150 x 1/4 F female C quick fit attachment
9	80276	3/8" MaleD x 3/8" MaleC high-pressure nipple
10	91031	Steel gasket for hollow screw with 3/8 lip
11	20226	Washer outlet to chassis hose with 90° couplings for D140
12	90842	1/4" high-pressure MaleC plug
13	80124	Inner threaded 3/4" quick connector

Pos.	Référence	Désignation
14	90012	Red handle valve M3/4" x F3/4"
15	12573	Steel gasket for 3/4" hollow screw with lip
16	12733	1/2" MaleD x 3/4" MaleD high-pressure nipple
17	10195	
18	10210	19 MAS sleeve
19	10229	ø 12 galvanised braided hose