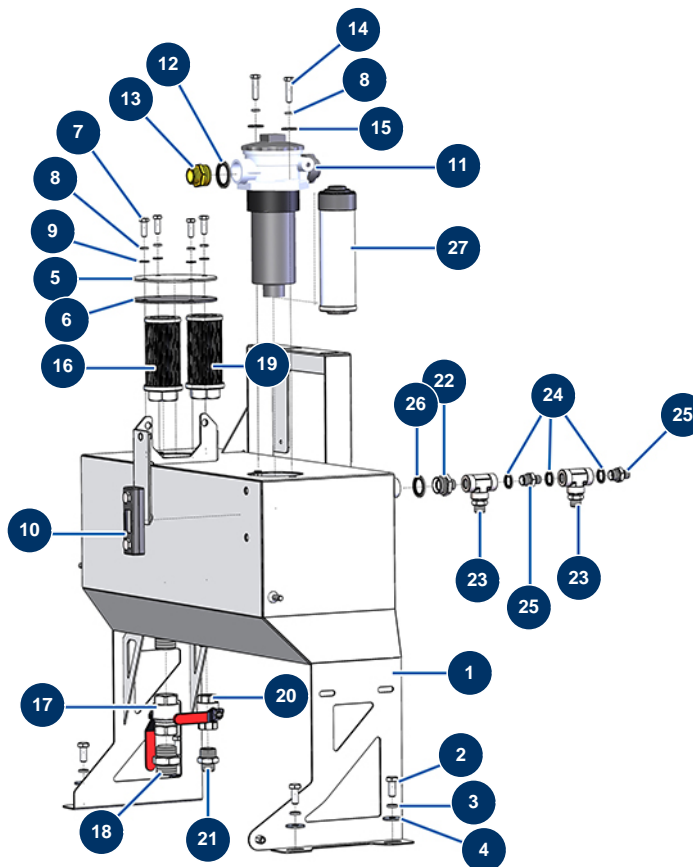


X-PRO D140 liquid screed machine - Hydraulic tank



Détails des pièces

Pos.	Référence	Désignation
1	C23013	1
2	30257	THEF 10 x 25 screw
3	80270	Grower washer ø 10
4	30293	ø 10 inox large washer
5	C20659	Tank cover
6	12780	Hydraulic tank gasket Ø 140 Thickness 3 mm - C.P 60
7	11544	THEF 8 x 25 screw
8	80269	Grower washer ø 8
9	30256	ø 8 inox narrow washer
10	12326	Visual level of hydraulic tank - CP 60
11	12327	Hydraulic oil return complete filter - JET 750
12	12572	Steel gasket for 1" hollow screw with lip
13	12569	3/4" MaleD x 1" MaleD high-pressure nipple

Pos.	Référence	Désignation
14	11545	THEF 8 x 35 inox screw
15	30292	ø 8 inox large washer
16	12328	1" inner threaded suction strainer - JET 750 & C.P 60
17	70031	Drain valve for EUROPRO 4-6-8-14 P, MPE, AG, 7000z, 9000z
18	12568	1" MaleD x 1" MaleD high-pressure nipple
19	14679	3/4" inner threaded suction strainer - CP 60
20	11382	Red handle valve F3/4" x F3/4"
21	12733	1/2" MaleD x 3/4" MaleD high-pressure nipple
22	20166	3/8" MaleD x 3/4" MaleD high-pressure nipple
23	20104	3/8" MaleD x 3/8" MaleD x 3/8" revolving Female high-pressure T
24	91031	Steel gasket for hollow screw with 3/8 lip
25	80276	3/8" MaleD x 3/8" MaleC high-pressure nipple
26	12573	Steel gasket for 3/4" hollow screw with lip
27	12351	Return filter cartridge - C.P 60