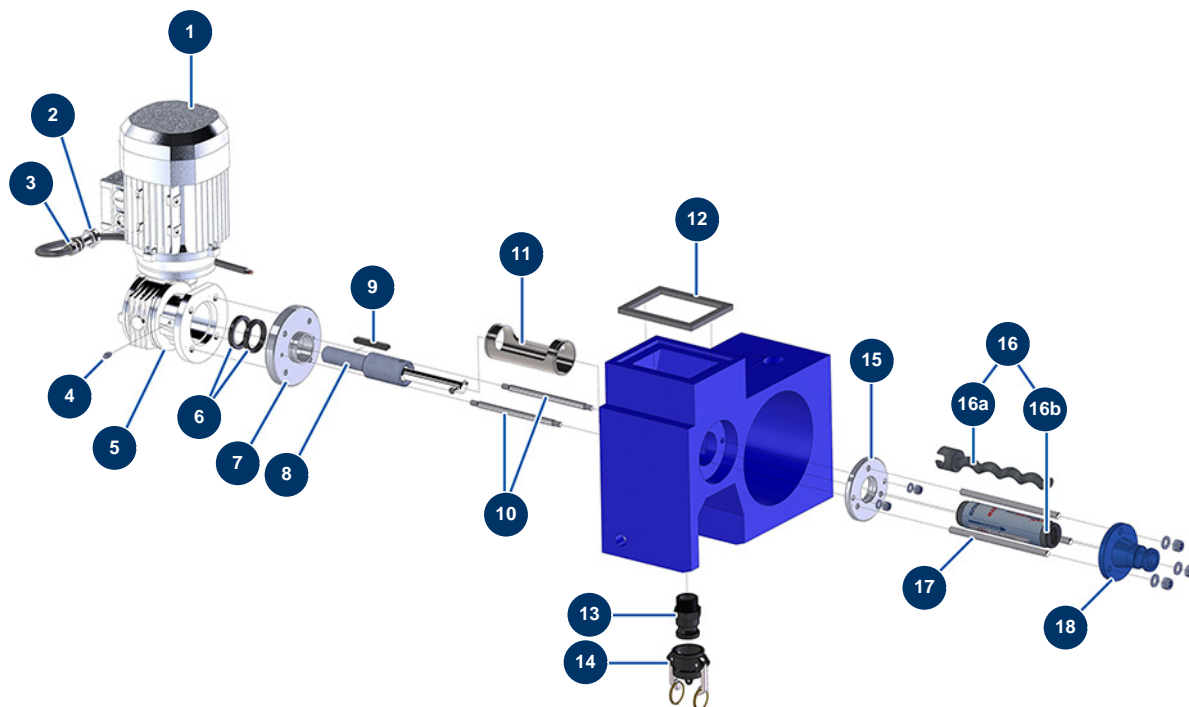


POLYMAIR 6 HVLP spraying system - Transmission



Détails des pièces

Pos.	Référence	Désignation
1	90549	Electric motor 0,75 kW - T80 - B14 -1400 rpm - 400V
2	80599	Cable gland reduction M 25-13
3	30040	Nickel plated watertight cable gland of 11 CEM
4	60012	M6 straight lubricator
5	90355	Speed reducer 90° - T50 - R20 - B14/T80
6	70062	Spi seal 40 x 52 x 7 for 4,6,8P, AG, MPE, 7000z, 9000z
7	11749	POLYMAIR motor flange
8	11751	Drive shaft for POLYMAIR
9	90749	8 x 7 x 65 parallel key with round end for 6P,8P,14P,7000z,9000z
10	11787	POLYMAIR transmission spacer
11	M10282	POLYMAIR spacer tube
12	11779	POLYMAIR base foam seal
13	11674	1" POLYPRO outer threaded adapter for POLYMAIR 4

Pos.	Référence	Désignation
14	11675	1" POLYPRO female plug with cams for POLYMAIR 4
15	11750	POLYMAIR stator flange
16	30479	EUROPRO MAP 3 pump rotor/stator kit
16a	MI7009107800	EUROPRO MAP 3 pump rotor with bayonet head
16b	MI3F00529201	EUROPRO MAP 3 - 60SH pump stator
17	10034	Fixation tie rod for MAP 2/3
18	11789	POLYMAIR 4 stator flange