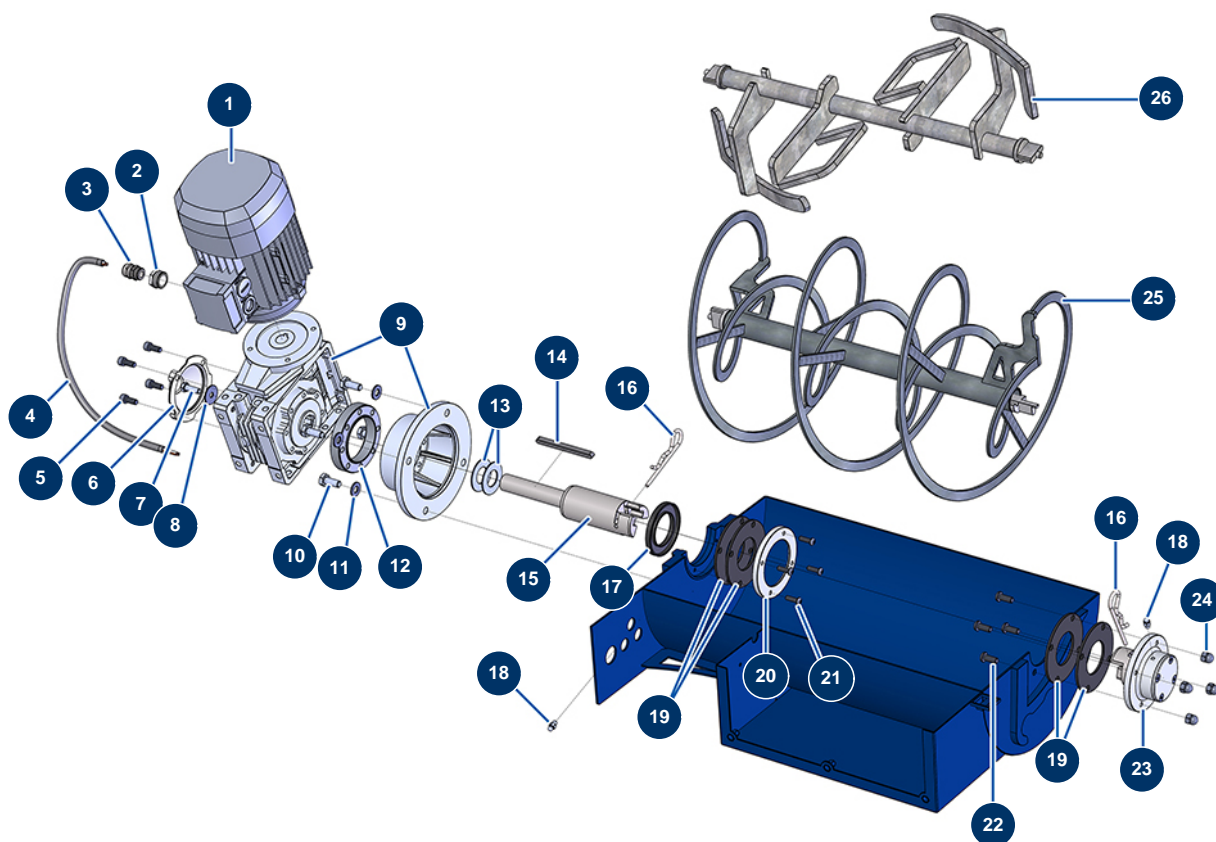


MIXPRO 80 CLASSIC sequential Mixer - Transmission



Détails des pièces

Pos.	Référence	Désignation
1	30043	Electric motor 1,1 kW - T80 - B14 - 1400 rpm - 400V
2	80446	Cable gland reduction M 25-11
3	30082	Nickel plated watertight cable gland of 11
4	90606	Shielded cable 4 x 1,5 by the metre
5	12249	3 x 12 cylindrical head screw
6	90287	14 P2 & 24 P gear reducer plastic cover
7	11544	THEF 8 x 25 screw
8	80263	Very large inox washer Ø 8
9	11513	Speed reducer 90° - T63 - R30 - B14/T80
10	30257	THEF 10 x 25 screw
11	80261	ø 10 inox medium washer
12	11524	Bonfiglioli gear-reducer spacer
13	C20657	CP30 mixer wedging washer

Pos.	Référence	Désignation
14	90750	8 x 7 x 100 parallel key with round end for 24P et PT
15	M10063	COMPACT PRO IDEAL mixed rapid transmission shaft
16	12157	Beta pin Ø 4.5 x 70
17	70107	Spi seal 50 x 80 x 8 for 24P,24PT, MPE300, COMPACT-PRO 30
18	60012	M6 straight lubricator
19	12042	C.P mixer rapid transmission gasket
20	M10065	Support washers for COMPACT-PRO mixer gasket
21	12110	6 x 20 inox cylindrical pan head screw
22	12111	8 x 20 inox cylindrical pan head screw
23	M07013	CP MIXER complete transmission bearing
24	30253	M 8 Inox cap nut
25	C20233	COMPACT-PRO mixer propeller
26	C20260	Paddle mixing propeller