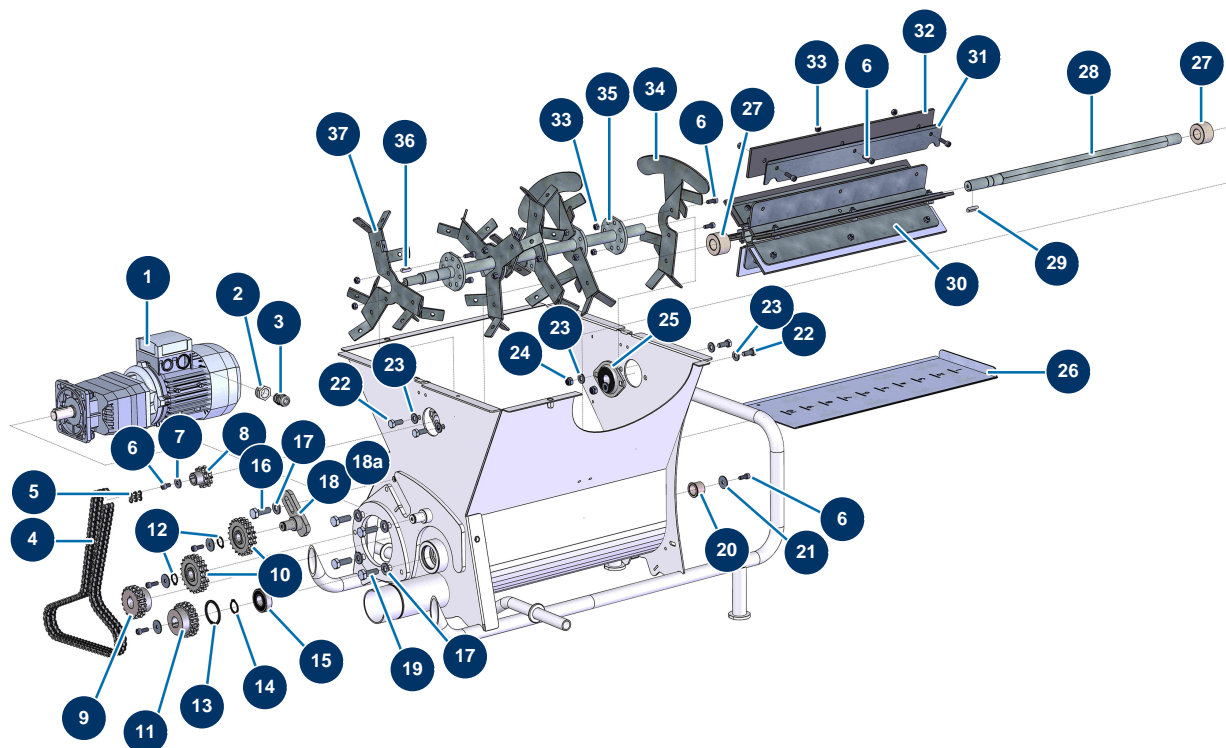


TURBISOL 56/2 blowing machine - Transmission (from 06/2021)



Détails des pièces

Pos.	Référence	Désignation
1	11908	Geared motor 0,55 kW - TC122 - R29,5 - 1400 rpm - 400V
2	80446	Cable gland reduction M 25-11
3	30040	Nickel plated watertight cable gland of 11 CEM
4	14398	Blowing machine triple chain Lg. 934 mm (98 links) with quick coupling
5	11989	Version 2 blowing machine double chain quick fit attachment
6	90157	M6 x 16 cylindrical head screw - CP 60
7	30291	ø 6 large washer
8	14400	13 teeth triple sprocket for blowing machine
9	14401	18 teeth triple sprocket for blowing machine
10	15047	Version 2 blowing machine 21-tooth idler sprocket
11	14402	19 teeth triple sprocket for blowing machine
12	11991	Ø 16 outer circlip
13	12210	Blowing machine distributor Ø 42 inner circlip

Pos.	Référence	Désignation
14	12318	Ø 20 outer circlip
15	12944	TURBISOL 112 blowing machine distributor bearing with conical holder
16	30258	THEF 10 x 30 screw
17	80261	ø 10 inox medium washer
18	C20046	Blowing machine transmission single chain tensioner
18a	30666	Blowing machine transmission complete chain tensioner
19	30257	THEF 10 x 25 screw
20	11904	Blowing machine 20 x 24 x 20 small flange bearing
21	80262	Very large inox washer Ø 6
22	30273	THEF 8 x 20 screw
23	80260	ø 8 inox medium washer
24	90127	M 8 nylstop nut
25	11900	Flange bearing ø 20 - 2 points for blowing machine
26	C20023	TURBISOL 56 flow adjustment flap
27	11907	Felt gasket Ø 20 x 40 for TURBISOL 56, 112 & 164 blowing machine
28	M10787	TURBISOL 56, 112 & 164 hexagonal distributor shaft
29	12000	6 x 6 x 29 parallel key with round end
30	C23153	TURBISOL 56, 112 & 164 hexagonal rotating distributor
31	C20040	Blowing machine paddle fixing detachable support
32	11992	Set of 6 foam-rubber blades for version 2 blowing machine distributor
33	14217	M 6 nylstop inox nut
34	C22866	TURBISOL 56 Evo2 spiral carding paddle
35	C22864	Single 5-blades mixing shaft for TURBISOL 56 Evo2, 112 & 164
36	12001	5 x 5 x 28 parallel key with round end
37	C23123	TURBISOL 200 star-shaped carding paddle ø280