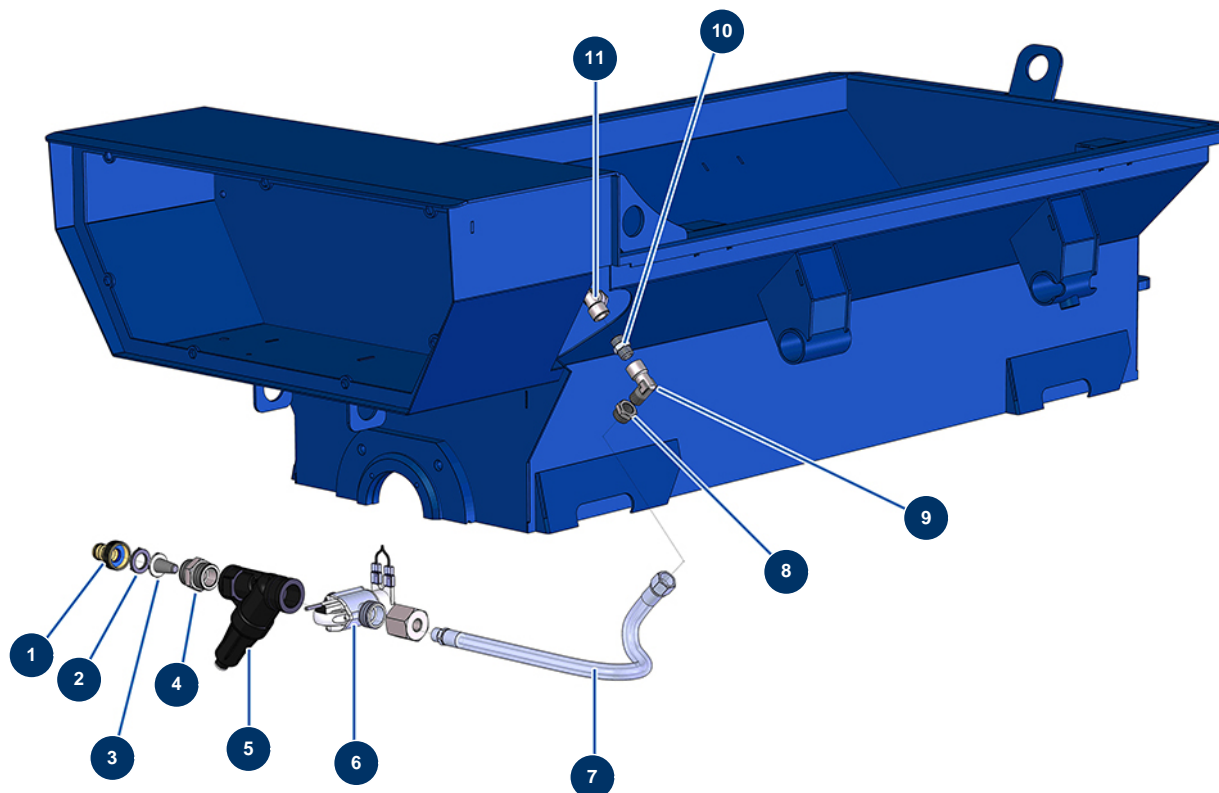


## MIXPRO 100 sequential mixer - Hydraulic circuit



### Détails des pièces

Pos.	Référence	Désignation
1	80124	Inner threaded 3/4" quick connector
2	11618	3/4" red fiber flat gasket
3	80128	Filter for 3/4" brass quick connector
4	12589	3/4" MaleD x 3/4" MaleD low-pressure nipple
5	12066	Water pressure regulator 0.8 to 2.5 bar
6	14241	Flowmeter electrovalve with 5-pin connector
7	12280	Water hose for MIXPRO 100 mixer
8	90242	3/8" MaleC x 1/4" FemaleD low-pressure reduction
9	30121	90° low-pressure elbow 1/4 MaleC x 1/4 FemaleD
10	90844	1/4" MaleD x 1/4" MaleD low-pressure nipple
11	11669	Elbow BP 90° 1/4 femaleDx 1/4 FemaleD