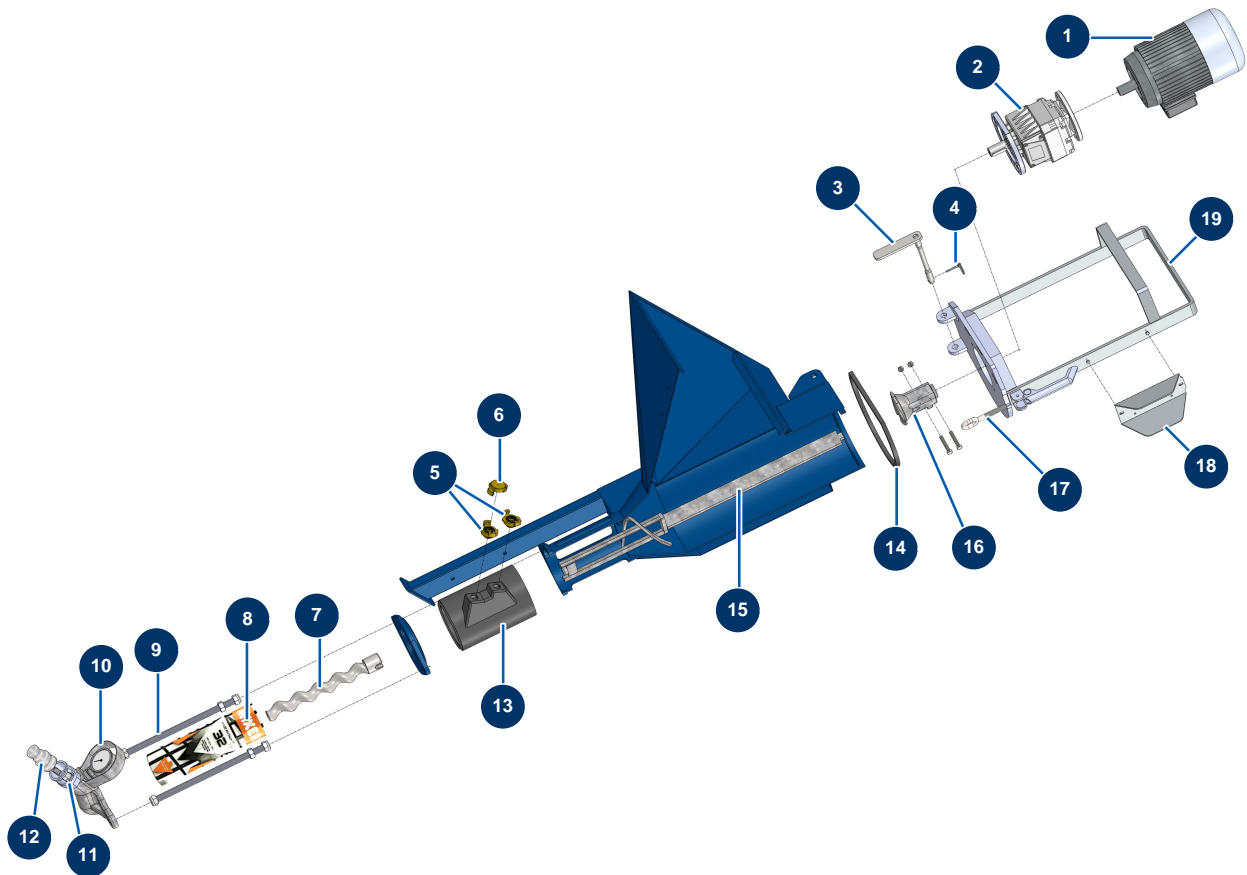


MIXPRO 28 - 3 kW complete floor-screed continuous mixing machine - Mixing group



Détails des pièces

Pos.	Référence	Désignation
1	MI3D00200401	Electric motor 3 kW - T90 - B14 - 2800 rpm - 400V
2	MI3D00310101	Coaxial speed reducer - T412A - R8,96 - B14/T90
3	MI7018006000	Engine locking axis
4	MI3T01200101	Clip pin
5	MI3A00100302	1/2" outer threaded Geka coupling
6	MI3A00100401	Geka coupling plug
7	MI7009009000	MIXER 32 pump rotor
8	MI3F00510500	MIXER 32 pump stator
9	MI8023003000	M16 tie rod L = 350 mm + screws
10	MI8012006000	LIGHT/MOSQUITO/SPRINTER/MIXPRO28 complete pump head
11	11951	1"1/4 camlock steel coupling, inner threaded 1"1/4
12	MI3A00300401	Double steel adapter \varnothing 25 \varnothing 35

Pos.	Référence	Désignation
13	MI7021004000	MIXPRO 28 mixing chamber
14	MI3G01000301	O-ring
15	MI7003020000	MIXPRO 28 & SPRINTER/MOSQUITO mixing shaft
16	MI700600650S	MOSQUITO/PLUS MONO/LIGHT/MIPRO28/MIXPRO30 motor coupling
17	MI3T01000400	Motor Closing Ring
18	MI4906511000	Mixpro 28 motor plug protection
19	MI701100300G	Mixing chamber motor support for MIXER PLUS and SPRINTER