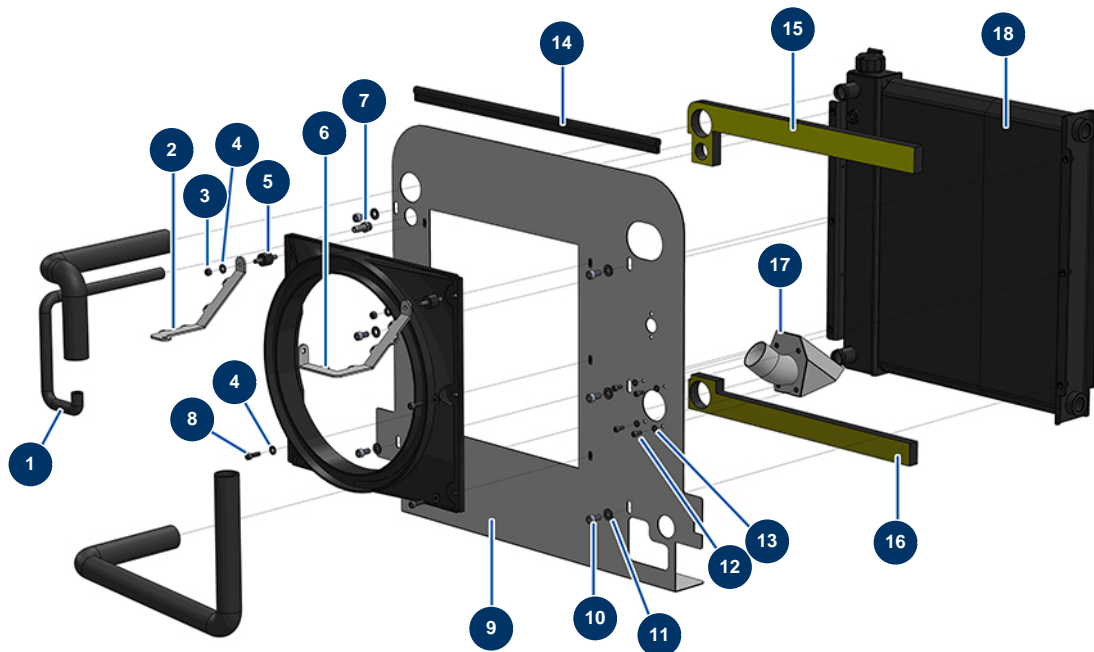


X-PRO D60 spraying machine - Radiator (from 12/2021)



Détails des pièces

| Pos. | Référence | Désignation |
|------|-----------|---|
| 1 | 13595 | Cooling liquid hose ø 10 x 17 per metre - CP 60 |
| 2 | C23059 | |
| 3 | 14217 | M 6 nylstop inox nut |
| 4 | 80259 | Ø 6 medium washer |
| 5 | 30147 | Silentbloc ø 20 x 15 M6 for Compact-pro 30 |
| 6 | C23057 | |
| 7 | 80094 | 1/4" corrugated outer threaded coupling Ø 10 |
| 8 | 90996 | 6 x 20 inox cylindrical head screw |
| 9 | C23052 | |
| 10 | 90151 | 8 x 10 cylindrical head screw |
| 11 | 80260 | ø 8 inox medium washer |
| 12 | 90161 | 5 x 12 inox cylindrical head screw |
| 13 | 70085 | ø 5 narrow washer |

| Pos. | Référence | Désignation |
|------|-----------|---|
| 14 | 12301 | Profile gasket for sealing by the metre |
| 15 | 14816 | High sealing foam new radiator CP 60 & 80 |
| 16 | 14817 | Low sealing foam new radiator CP 60 & 80 |
| 17 | C23055 | |
| 18 | 14680 | Engine/Hydraulic oil cooler RL 2021 - CP 60 |