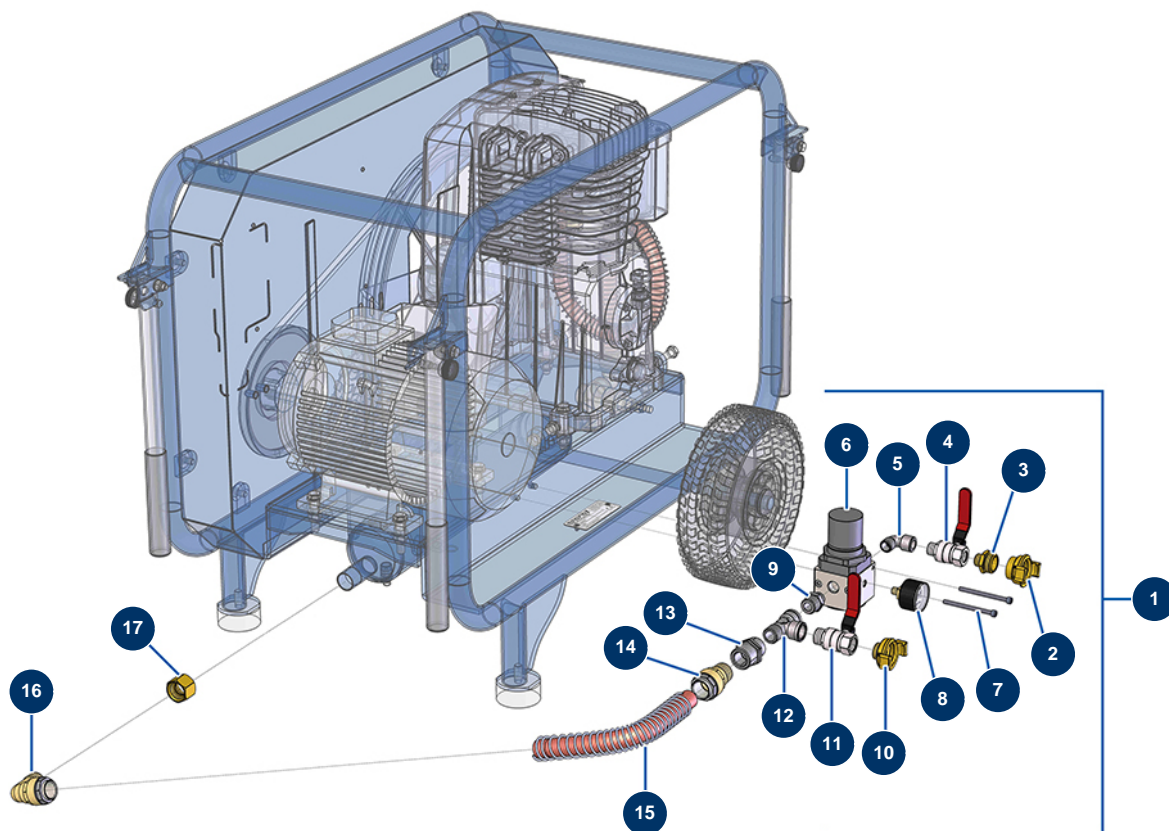


EUROPRO 50 TH compressor HONDA starting with launcher - Air regulator kit option



Détails des pièces

Pos.	Référence	Désignation
1	14847	Thermal compressor air regulator kit
2	12117	3/4" inner threaded Geka coupling
3	80566	3/8" MaleD x 3/4" MaleD low-pressure nipple
4	90011	Red handle valve M3/8" x F3/8"
5	30120	Elbow BP 90° 3/8 MaleC x 3/8 FemaleD
6	14836	6
7	12447	5 x 70 cylindrical head screw
8	80023	Axial manometer 1/8 conical 40 mm 0 to 10 bar
9	80339	3/8" MaleC x 1/2" MaleC low-pressure nipple
10	13572	1/2" outer threaded Geka coupling"
11	90023	Red handle valve M1/2" x F1/2"
12	12205	M1/2" x F1/2" x F1/2" low pressure T

Pos.	Référence	Désignation
13	10945	3/4" FemaleD x 1/2" FemaleD low-pressure nipple
14	11198	Push-in connector for EUROPRO 50-3, 100-3 compressor hose
15	10688	Spring for E100 steel compressor outlet pipe
16	11383	Elbow push-in connector for EUROPRO 50-3, 100-3 compressor hose
17	11311	3/4" FemaleD x 3/4" FemaleD low-pressure nipple