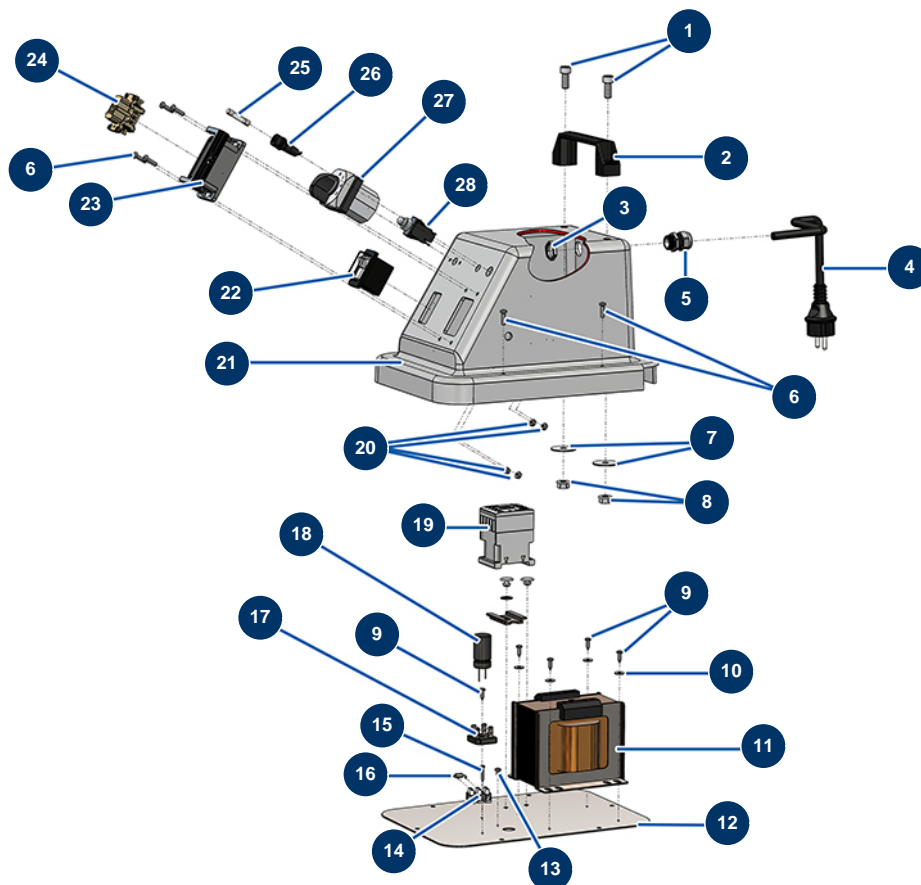


## TALOCH'PRO 400 electric trowel 230 V - Electrical group



### Détails des pièces

Pos.	Référence	Désignation
1	MI3T02601010	1
2	MI3M00500114	Lifting handle
3	MI3C04205103	3
4	MI3M00501200	SCHUKO plug with trowel power cable VERTIGO
5	MI3C04200211	PG11 cable gland
6	MI3T02601109	6
7	MI3T02200201	7
8	MI3T01401103	8
9	MI3T2601403	9
10	MI3T02200205	10
11	MI3C00502025	Trowel transformer VERTIGO 3 speeds
12	MI4902020000	Galvanized bottom plate
13	MI3T02601402	13

Pos.	Référence	Désignation
14	MI3C00130110	14
15	MI3T02601405	15
16	MI3M00302901	Diode for pump - VERTIGO 1N54
17	MI3M00500108	Diode bridge 25A VERTIGO
18	MI3C04302001	Capacitor 50V 4700MF VERTIGO 3 speeds
19	MI3C00700117	4 KW 24V AC coil contactor
20	MI3T01401104	20
21	MI3M00500405	Half-shell cover trowel VERTIGO
22	MI3M00500111	TALOCH' PRO ON/OFF switch
23	MI3C02800503	Socket base 6 pin TCHI 06 L
24	MI3C02700300	6P 16A female insert
25	MI3C05001200	Fuse 3,15A VERTIGO trowel
26	MI3C05050900	Fuse holder P4000 VERTIGO trowel
27	MI3M00300403	Gradual trowel switch VERTIGO
28	MI3C00800800	Thermoprotector VERTIGO trowel