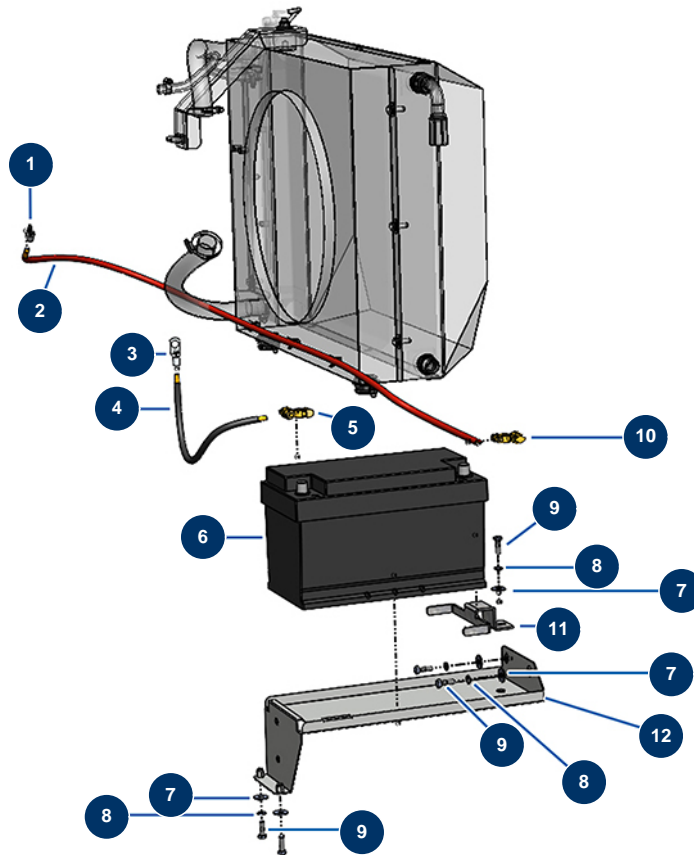


X-PRO D200 liquid screed machine - Battery



Détails des pièces

Pos.	Référence	Désignation
1	20249	Solder lug on 35 mm ² wire with ø 8 hole
2	20233	35 mm ² red battery cable by the metre
3	20250	Solder lug on 35 mm ² wire with ø 12 hole
4	20234	35 mm ² black battery cable by the metre
5	14573	Self-clamping battery terminal - blue
6	20257	110 Ah (+D) battery
7	30292	ø 8 inox large washer
8	80269	Grower washer ø 8
9	11544	THEF 8 x 25 screw
10	14572	Self-clamping battery terminal + red
11	C23248CST	
12	C23207CST	