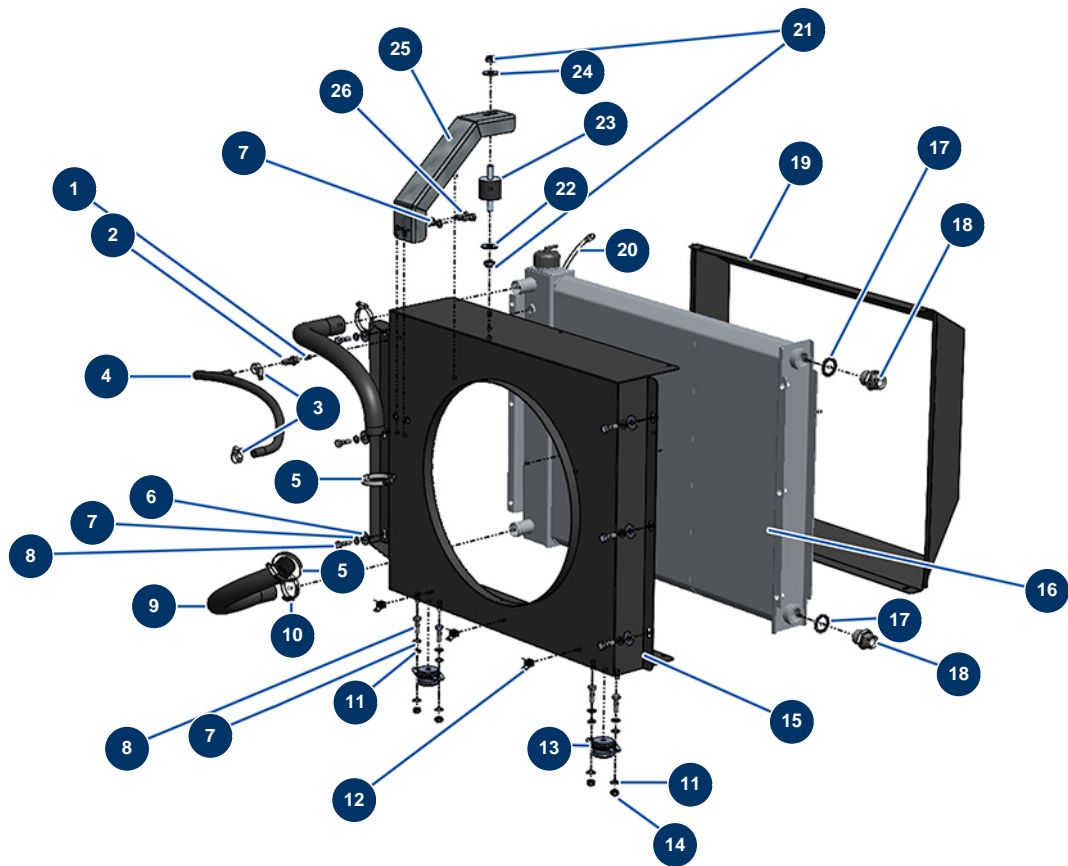


X-PRO D200 liquid screed machine - Radiator



Détails des pièces

Pos.	Référence	Désignation
1	20406	
2	80094	1/4" corrugated outer threaded coupling Ø 10
3	20247	8-16 mm collar
4	20409	Cooling liquid hose ø 8 x 15 by the metre
5	20393	
6	30292	ø 8 inox large washer
7	80269	Grower washer ø 8
8	11544	THEF 8 x 25 screw
9	20248	
10	20242	25-40 mm collar
11	30256	ø 8 inox narrow washer
12	80197	Sarel collar support
13	20536	

Pos.	Référence	Désignation
14	90127	M 8 nylstop nut
15	C23109CST	
16	20169	Engine/Hydraulic oil cooler RL - X-PRO D200
17	12573	Steel gasket for 3/4" hollow screw with lip
18	90774	3/4" MaleD x 3/4" MaleD high-pressure nipple
19	C23108CST	
20	90541	Clear air hose Ø 6 by the metre
21	60013	M 10 nylstop nut
22	30280	ø 10 inox narrow washer
23	20681	Silentbloc ø 40 x 35 M-M10
24	30293	ø 10 inox large washer
25	C23107CST	
26	30273	THEF 8 x 20 screw