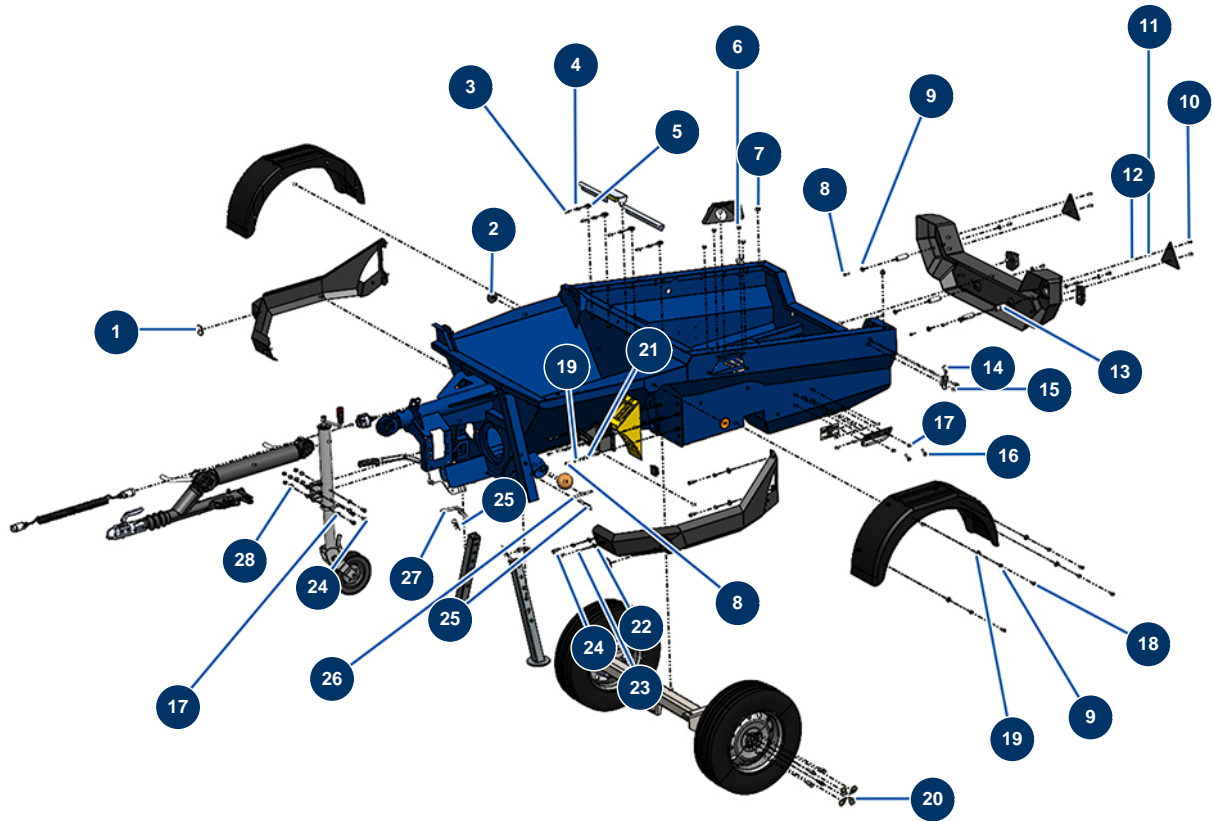


X-PRO D200 liquid screed machine - Chassis screws and bolts



Détails des pièces

Pos.	Référence	Désignation
1	12362	Round & white reflector - C.P 60
2	12361	Round & orange reflector - C.P 60
3	14218	THEF 6 x 25 inox screw
4	80268	Grower washer Ø 6 - C.P 60
5	30291	ø 6 large washer
6	11145	6 x 16 inox cylindrical pan head screw
7	14216	ø 20 x 24 M6 conical stop
8	30273	THEF 8 x 20 screw
9	30292	ø 8 inox large washer
10	20290	5 x 20 10.9 cylindrical head screw
11	70085	ø 5 narrow washer
12	11880	M 5 nylstop nut
13	M10786LP	13

Pos.	Référence	Désignation
14	20238	
15	20392	
16	30258	THEF 10 x 30 screw
17	30280	∅ 10 inox narrow washer
18	11544	THEF 8 x 25 screw
19	80269	Grower washer ∅ 8
20	14645	
21	30256	∅ 8 inox narrow washer
22	30293	∅ 10 inox large washer
23	80270	Grower washer ∅ 10
24	30258	THEF 10 x 30 screw
25	20046	4 mm R pin
26	20060	
27	20236	Support leg pin X-PRO D
28	60013	M 10 nylstop nut