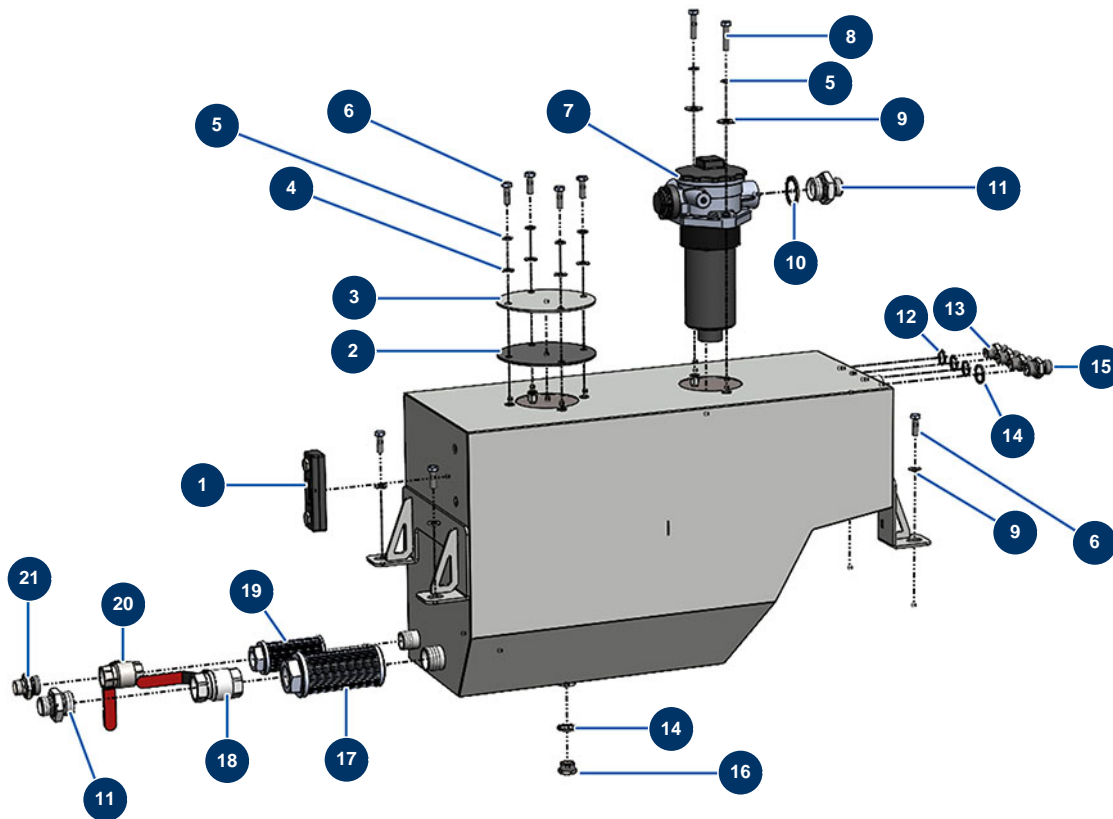


X-SCREED D60 dry screed machine - stage V 42kW - Hydraulic tank



Détails des pièces

Pos.	Référence	Désignation
1	12326	Visual level of hydraulic tank - CP 60
2	12780	Hydraulic tank gasket Ø 140 Thickness 3 mm - C.P 60
3	C20659	Tank cover
4	30256	ø 8 inox narrow washer
5	80269	Grower washer ø 8
6	11544	THEF 8 x 25 screw
7	12327	Hydraulic oil return complete filter - JET 750
8	11545	THEF 8 x 35 inox screw
9	30292	ø 8 inox large washer
10	12572	Steel gasket for 1" hollow screw with lip
11	12569	3/4" MaleD x 1" MaleD high-pressure nipple
12	91031	Steel gasket for hollow screw with 3/8 lip
13	80276	3/8" MaleD x 3/8" MaleC high-pressure nipple

Pos.	Référence	Désignation
14	91032	Steel gasket for hollow screw with 1/2" lip
15	90627	1/2" MaleD x 1/2" MaleD high-pressure nipple
16	90239	1/2" low-pressure male plug
17	12328	1" inner threaded suction strainer - JET 750 & C.P 60
18	70031	Drain valve for EUROPRO 4-6-8-14 P, MPE, AG, 7000z, 9000z
19	14679	3/4" inner threaded suction strainer - CP 60
20	11382	Red handle valve F3/4" x F3/4"
21	12733	1/2" MaleD x 3/4" MaleD high-pressure nipple